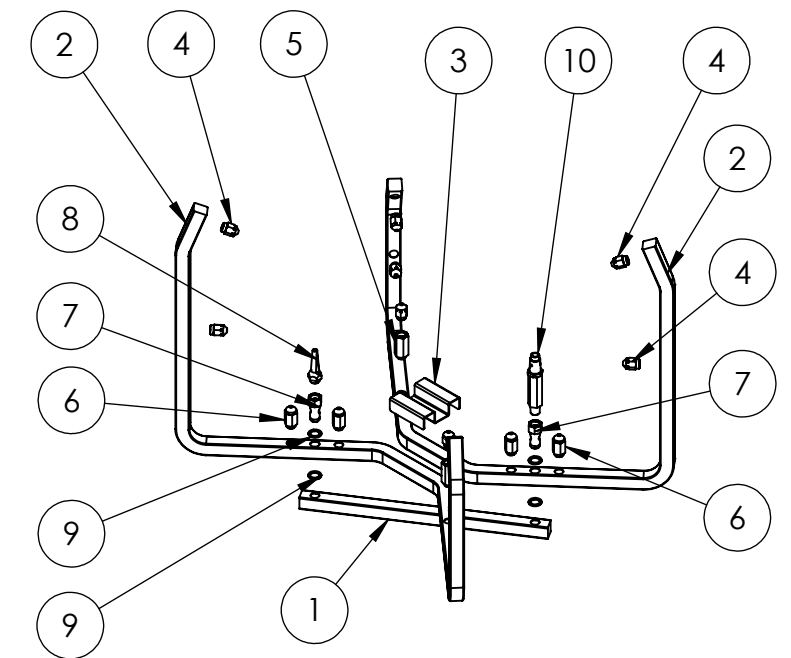
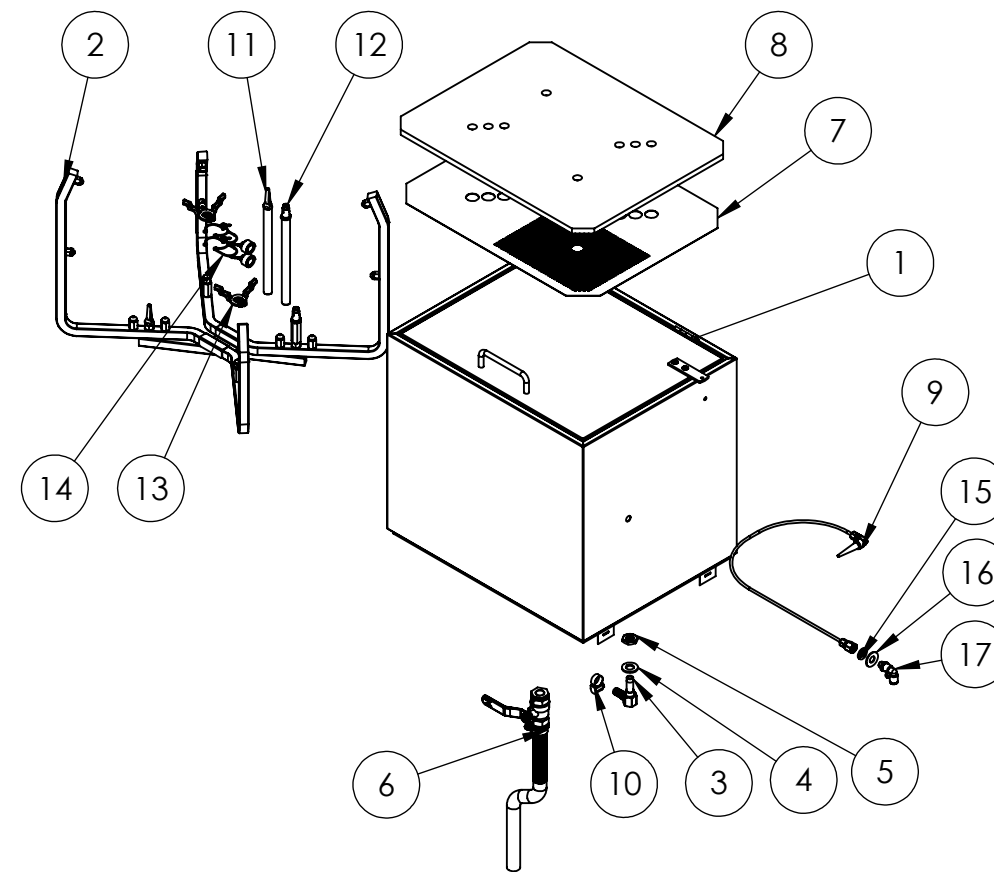
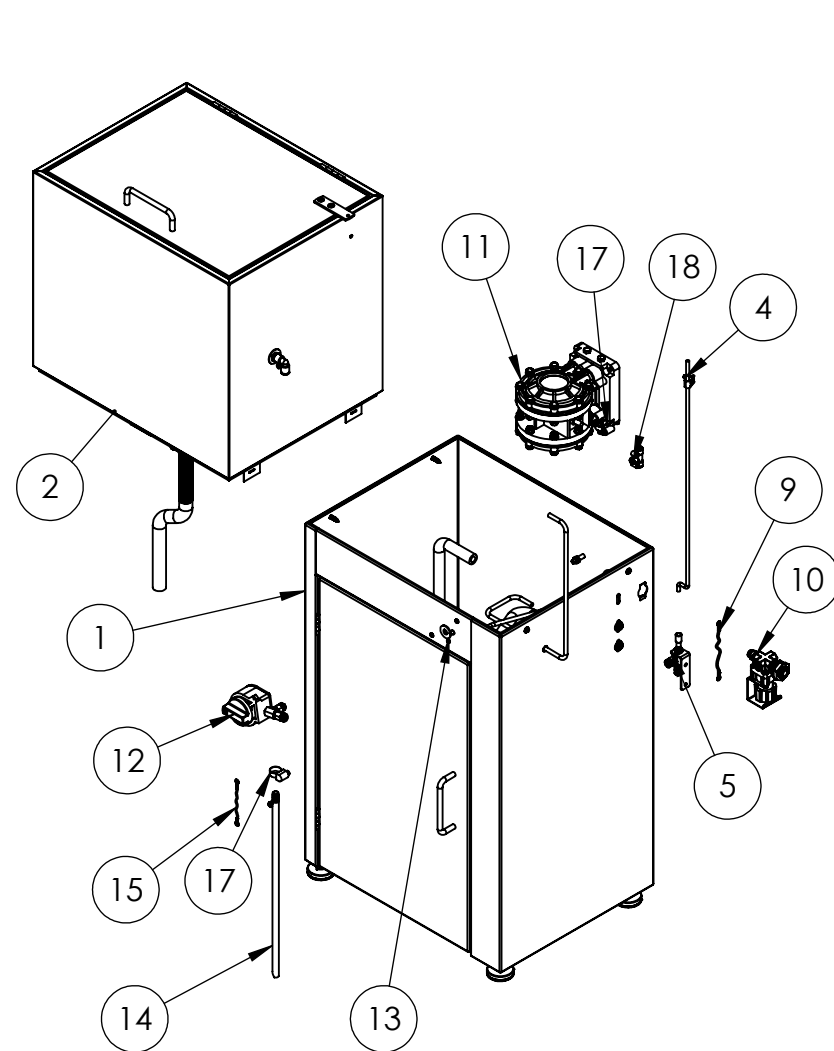


| BOM Table of UG2000D-A | | | |
|------------------------|-----------|---|------|
| ITEM NO. | PartNo | DESCRIPTION | QTY. |
| 1 | 130-600T | BASE CABINET ASSY | 1 |
| 2 | 120-2000F | UG2000 TANK ASSY | 1 |
| 4 | 100-820 | PUSH ROD WITH GUIDE CLIP ASSY | 1 |
| 5 | 113-800 | LID SWITCH ASSY, FOR MODELS W/O VENT | 1 |
| 9 | 100-835 | GROUND WIRE ASSY, 18GA., 4FT. GREEN | 1 |
| 10 | 120-020PR | AIR PRESSURE REGULATOR, SET TO 85 PSI | 1 |
| 11 | UDP4TA | DUAL DIAPHRAGM PUMP, 4", DELRIN BODY, TEFLON DISC, B/M INCL | 1 |
| 12 | 115-200 | MECH. TIMER ASSY, MANUAL, 5 MINUTES | 1 |
| 13 | 99-623 | NYLON WASHER, 0.343" ID X 0.875" OD X 0.062" TH | 1 |
| 14 | 150-8350 | SUCTION TUBE 10MM OD WELDED WITH NUT, FOR UG5000W | 1 |
| 15 | 100-8335 | GROUND WIRE ASSY, 14GA, 36" LG. GREEN | 1 |
| 17 | 110-261 | HOSE CLAMP, #5, S.S. FOR 11/16" OD, 10mm. TO 16mm. | 3 |
| 18 | QCTEE14 | QC FITTING TEE, FOR 6MM OD HOSE | 1 |

| BOM Table of 120-2000F | | | |
|------------------------|------------|--|------|
| ITEM NO. | PartNo | DESCRIPTION | QTY. |
| 1 | 130-300 | WASH TANK ASSY. | 1 |
| 2 | 140-360S | DELIVERY S.S TUBE ASSY | 1 |
| 3 | 140-450 | CENTRE CONNECTOR WITH FITTING | 1 |
| 4 | 110-465 | NYLON WASHER 25.4*13.35 | 1 |
| 5 | 100-463 | BRASS NUT, UNION ADAPTOR, 1/4" NPS | 1 |
| 6 | 140-480 | DRAIN VALVE WITH FITTINGS AND HOSE SUB-ASSY | 1 |
| 7 | 100-332N | FLAME RETARDING SCREEN | 1 |
| 8 | FP6500-1 | FILTER PAD | 1 |
| 9 | 140-230 | AIR PURGE KIT, SPRAY GUN | 1 |
| 10 | 110-261 | HOSE CLAMP, #5, S.S. FOR 11/16" OD, 10mm. TO 16mm. | 1 |
| 11 | 110-430 | TAPER NOZZLE ADAPTER, ALM. TUBE, 6.5" LG | 1 |
| 12 | 110-430PPS | NOZZLE ADAPTER FOR PPS, ALM. TUBE, 6.5" LG | 1 |
| 13 | 100-413F | CUP HOLDER | 2 |
| 14 | 140-2340 | TWO SETS KIT-PLUG, INCL. TWO 140-2341 | 1 |
| 15 | 780-4651 | WASHER, NYLON, 0.750" OD X 0.390" ID X 0.062" T | 1 |
| 16 | 99-614S | 3/8" WASHER S.S | 1 |
| 17 | QCF901418 | QC FITTING, ELBOW, 90°, 6MM X 1/8" MALE NPT | 1 |

| BOM Table of 140-360S | | | |
|-----------------------|----------|--|------|
| ITEM NO. | PartNo | DESCRIPTION | QTY. |
| 1 | 140-371S | SS BLANCE TUBE | 1 |
| 2 | 110-363S | SS DELIVERY TUBE | 2 |
| 3 | 110-351S | SS CENTRE BRACKET, FOR DELIVERY TUBE | 1 |
| 4 | 100-350N | SPRAY JET ASSY. BRASS | 10 |
| 5 | 100-459 | EXTENSION ADAPTER, JET | 2 |
| 6 | 100-350L | SPARY JET ASSY, | 4 |
| 7 | 100-457 | CONNECTOR CROSS BAR | 2 |
| 8 | 110-356 | GUN CLEANER NOZZLE, BRASS | 1 |
| 9 | 99-612P | FLAT WASHER PE, 0.405" ID X 0.550" OD X 0.045" T | 4 |
| 10 | 780-3530 | NOZZLE SUB ASSEMBLY, 3M PPS ADAPTOR | 1 |



UG2000D