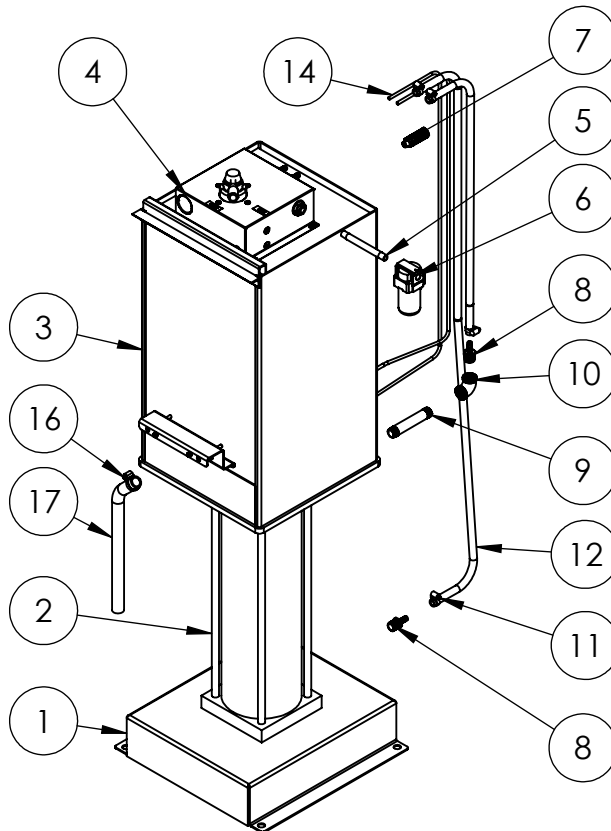


BOM Table of UCC840C-B			
ITEM NO.	PartNo	DESCRIPTION	QTY.
1	970-1161	STAND BASE	1
2	TQ160-500	160MMX500MM AIR CYLINDER	1
3	982-2000F	BODY ASSY	1
4	982-1106A	CONTROL BOX COMPLETE ASSY	1
5	982-1162	LONG NIPPLE, 1/4" NPT BOTH ENDS, 5" LG	1
6	975-7220F	AIR FILTER, WITH METAL GUARD, 1/4" NPT	1
7	110-371	SILENCER, 1/4" NPT PORT	1
8	Z9125-6D	HOSE BARB FITTING 3/8"HOSE X 1/2" MALE NPT, 0.97" LG HOSE BARB	2
9	700-4284	1/2" NPT MALE X 4.5" LG, Pipe Nipple	1
10	45-814	90° Elbow, 1/2" NPT X 2 FEMALE, GALV	1
11	110-261	HOSE CLAMP, #5, S.S.FOR 1 1/16"OD, 10mm. TO 16mm.	4
12	PVH38X58	AIR HOSE, CLEAR BRAIDED, PVC*BV, 3/8"IDx 5/8"OD	1
14	URT6MM-BL	POLYURETHANE TUBE, BLUE, 6mmODx4mmID	1
16	110-270	HOSE CLAMP, #10, S.S.FOR 9/16" TO 1 & 1/16"	1
17	PVT34X1	PVC TUBE, CLEAR, 3/4"IDx 1"ODx 16" LG	1



UCC840C
UNI-RAM CORPORATION
 REV.MAY-2017