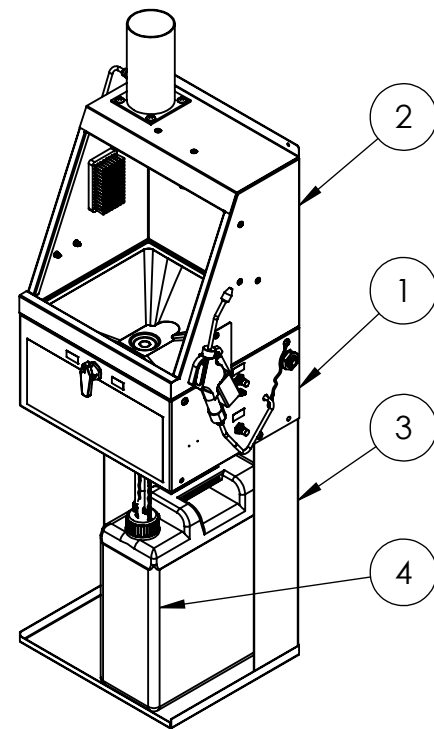
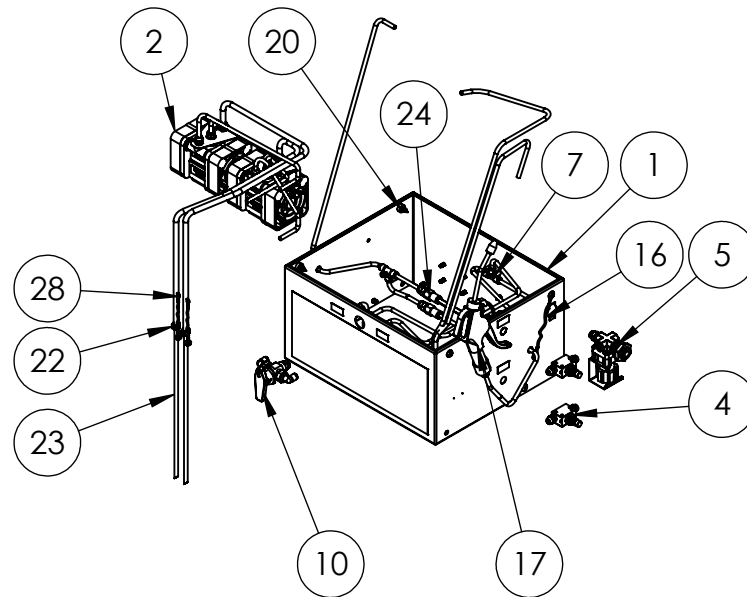


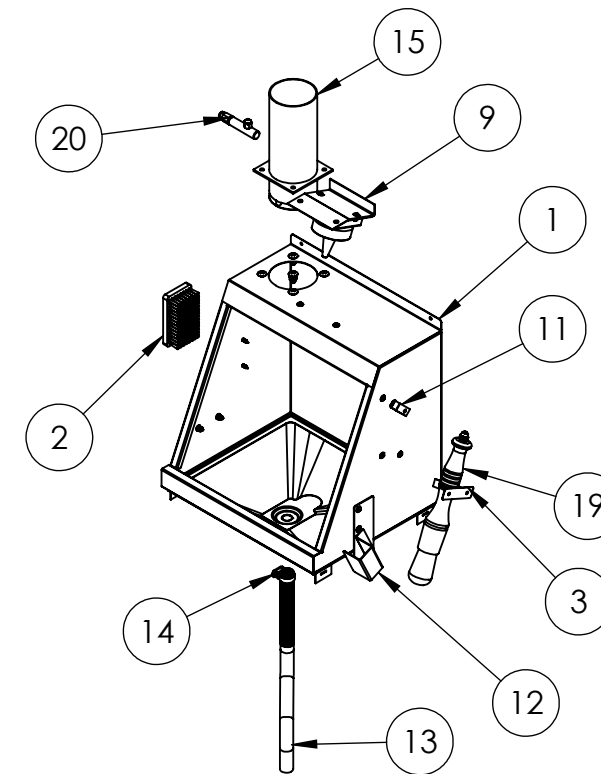
BOM Table of UM80S-B			
ITEM NO.	PartNo	DESCRIPTION	QTY.
1	103-6100S	CABINET COMPLETE ASSY, FOR UM80S	1
2	103-3100S	HOOD COMPLETE, UM80S	1
3	103-6240	SHELF-PAIL SUPPORT ASSEMBLY	1
4	103-8111BS	WASH PAIL, 10L, WITH THREE HOLES CAP	1



BOM Table of 103-6100S			
ITEM NO.	PartNo	DESCRIPTION	QTY.
1	103-6110N	CABINET ASSEMBLY WALL MOUNT UNIT	1
2	UDP2TAB	2" DIA-PUMP, TEFLON BALL, WITH 8MM INLET AND 6MM OUTLET FITTINGS	2
4	150-3780	LIQUID FLOW CONTROL ASSEMBLY, 6MM TUBE	2
5	120-020PR	AIR PRESSURE REGULATOR, SET TO 85 PSI	1
7	QCTEE14	QC FITTING TEE, FOR 6MM OD HOSE	4
10	104-6510	3 WAY VALVE ASSY, WITH 6MM PUSH IN FITTINGS	1
16	100-835	GROUND WIRE ASSY, 18GA., 4FT, GREEN, BOTH ENDS WITH 1/4" NON-INSULATED TIN-PLATED COPPER RING TERMINAL	1
17	102-7010	AIR BLOW GUN ASSY. WITH FITTING	1
20	ZMW8A-5	SPACER, ALUMINUM, N110 SKD	4
21	99-321	#14, 3/4" LG, ZINC, PAN HEAD Phillips Screw, for Sheet Metal	4
22	100-255	Single Pinch HOSE CLAMP, 9.5MM	2
23	103-8350	SUCTION TUBE WELDED WITH NUT, FOR UM80S	2
24	103-3970	CHECK VALVE, WITH 6MM OD TUBE QC	2
28	100-8335	GROUND WIRE ASSY, 14GA, 36" LG, GREEN,	2



BOM Table of 103-3100S			
ITEM NO.	PartNo	DESCRIPTION	QTY.
1	103-3110S	HOOD WELDMENT ASSY, FOR UM80S	1
2	103-3992	FLAT BRUSH	1
3	102-3022F	BRUSH HOLDER	1
9	103-3560	NOZZLE ASSEMBLY, WATER BORNE	1
11	103-3627	HOSE RETAINER	1
12	102-3028	BRACKET GUN HOLDER,	1
13	NYH1617-14	FLEXIBLE DRAIN HOSE, BLACK, OD 21.2MM X 2.5MM, 14" LG	1
14	50-261	HOSE CLAMP 14/22, #6, SS*BV	1
15	103-3750	VENT TUBE ASSEMBLY	1
19	103-390A	MANUAL BRUSH WITH 6MM COMPRESS FITTING, FOR SOLVENT, W/O TUBE	1
20	36-110J	AIR VENTURI AND SUPPORT	1



UM80S
UNI-RAM CORPORATION
 REV. JULY-2017