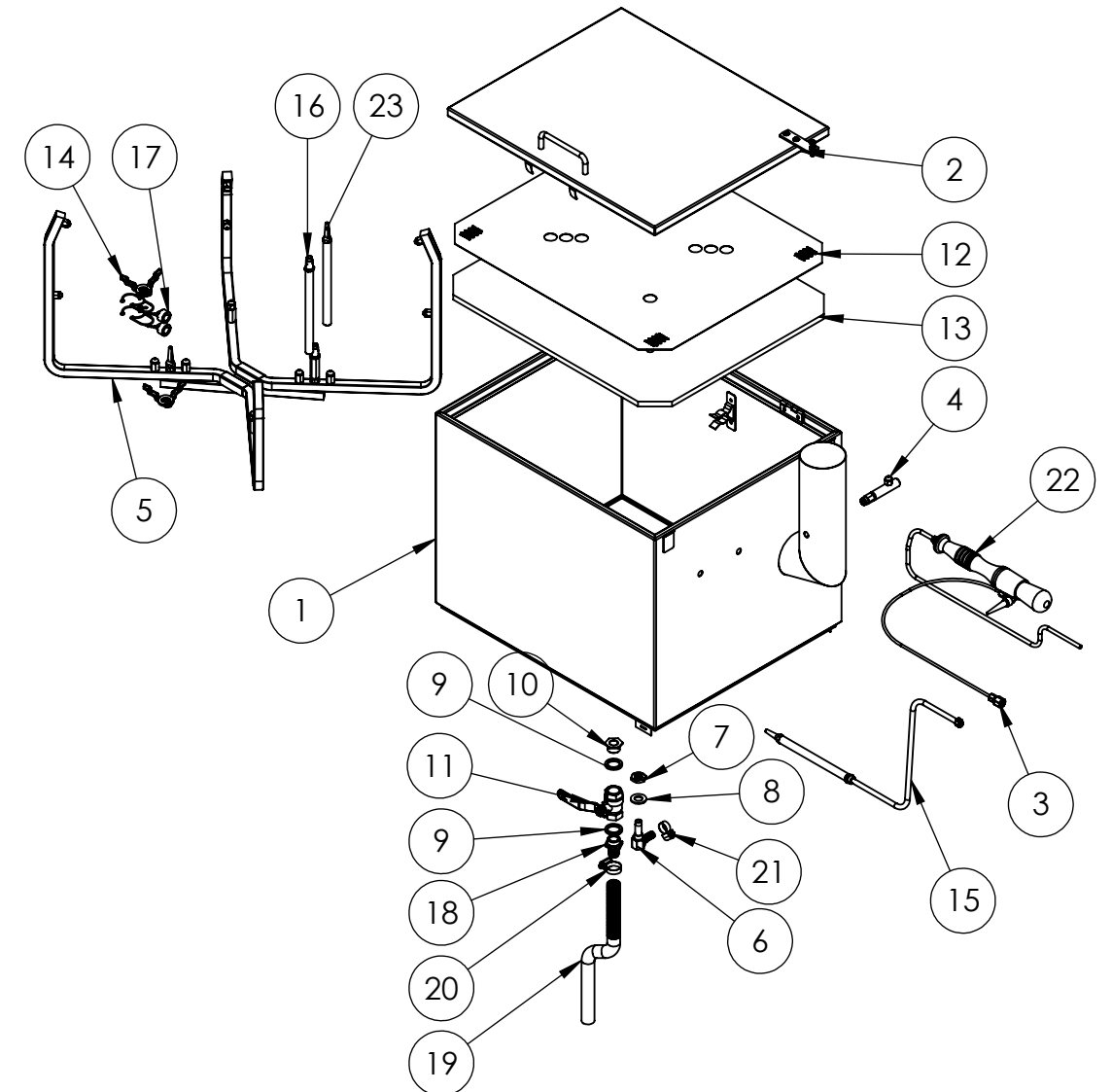
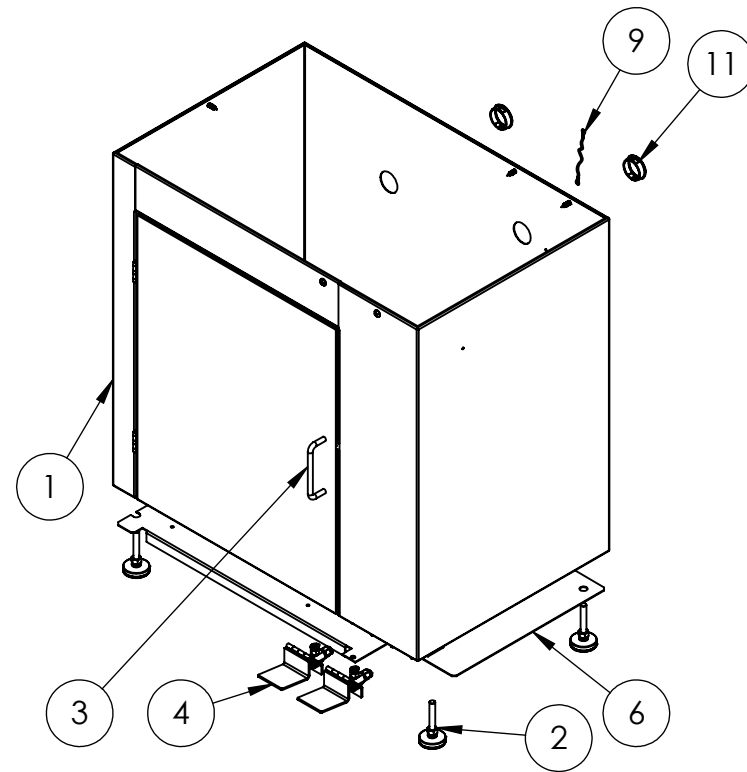
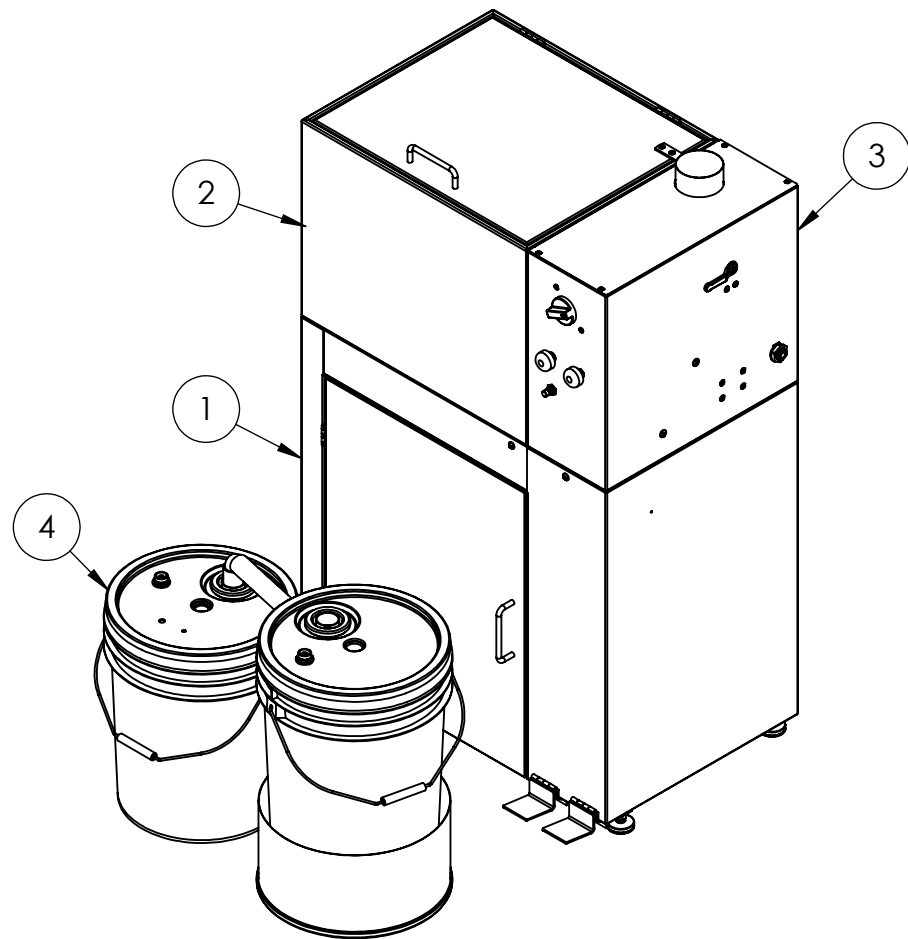


BOM Table of UG6000SE-B				
ITEM NO.	PartNo	DESCRIPTION	UG6000S/QTY.	UG6000SE/QTY.
1	240-6000S	UG6000S CABINET ASSY	1	1
2	240-3000	WASH TANK	1	1
3	240-4000	CONTROL BOX WITH PUMPS AND FITTINGS	1	1
4	140-8000	PAIL SET FOR E MODEL, LID REMOVABLE TYPE, USE TRANSLUCENT RP BUCKET RECTANGLE PAIL SET, FOR NON E SERIES	-	1
5	150-8000RT		1	-

BOM Table of 240-6000S			
ITEM NO.	PartNo	DESCRIPTION	QTY.
1	240-6200S	CABINET WELDMENT ASSY, UG6000S ADJUSTABLE	1
2	110-531L	FOOT, LONG, 3/8-16x2.5"L STUD*GC*SR	4
3	240-6300S	DOOR ASSEMBLY FOR UG6000S	1
4	240-7510	FOOT PEDAL, HEAVY DUTY	2
6	240-6235S	FLOOR	1
9	100-835	GROUND WIRE ASSY, 18GA., 4FT, GREEN, 1.3125" ID SNAP BUSHING, 1.5" WALL HOLE	1
11	150-801		2

BOM Table of 240-3000			
ITEM NO.	PartNo	DESCRIPTION	QTY.
1	240-3010	TANK WELDMENT ASSY	1
2	240-3100F	TANK LID ASSEMBLY	1
3	140-230	AIR PURGE KIT, SPRAY GUN	1
4	36-110J	AIR VENTURI AND SUPPORT	1
5	240-360F	DELIVERY S.S TUBE ASSY	1
6	140-450	CENTRE CONNECTOR WITH FITTING	1
7	100-463	BRASS NUT, UNION ADAPTOR, 1/4" NPS	1
8	100-465	FLAT WASHER PE, FOR 1/4" NPS 0.531"IDX1"ODX0.09"T	1
9	110-466	WASHER, TUBE NUT, 0.125T	2
10	110-572	TUBE BOLT, DRAIN VALVE	1
11	10-171	BALL VALVE, 1/2", FULL PORT, BRASS	1
12	240-3320F	SCREEN	1
13	FP6000-1	FILTER PAD FOR UG6000	1
14	100-413F	CUP HOLDER	2
15	240-430	MANUAL NOZZLE WITH TUBING SUB-ASSY.	1
16	110-430PPS	NOZZLE ADAPTER FOR PPS, ALM. TUBE, 6.5" LG	1
17	140-2340	TWO SETS KIT-PLUG, INCL.TWO 140-2341	1
18	150-3721	HOSE FITTING, DRAIN HOSE, GUN CLEANER	1
19	NYH1617-14	FLEXIBLE DRAIN HOSE, BLACK, OD 21.2MM X 2.5MM, 14" LG	1
20	50-261	HOSE CLAMP 1/4/22, #6 SS*BV	1
21	110-261	HOSE CLAMP, #5, S.S.FOR 11/16" OD, 10mm. TO 16mm.	1
22	144-390S	MANUAL BRUSH WITH COMPRESS FITTING, 6MM, FOR SOLVENT	1
23	110-430	TAPER NOZZLE ADAPTER, ALM. TUBE, 6.5" LG	1

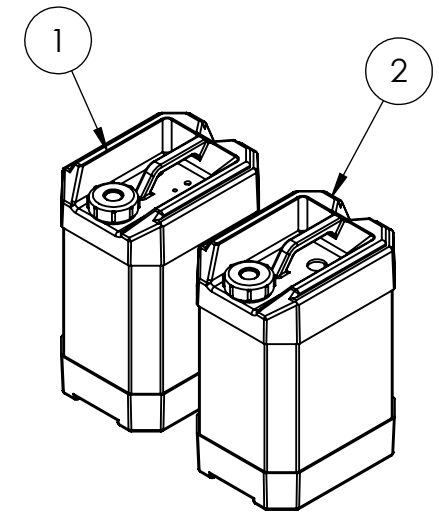
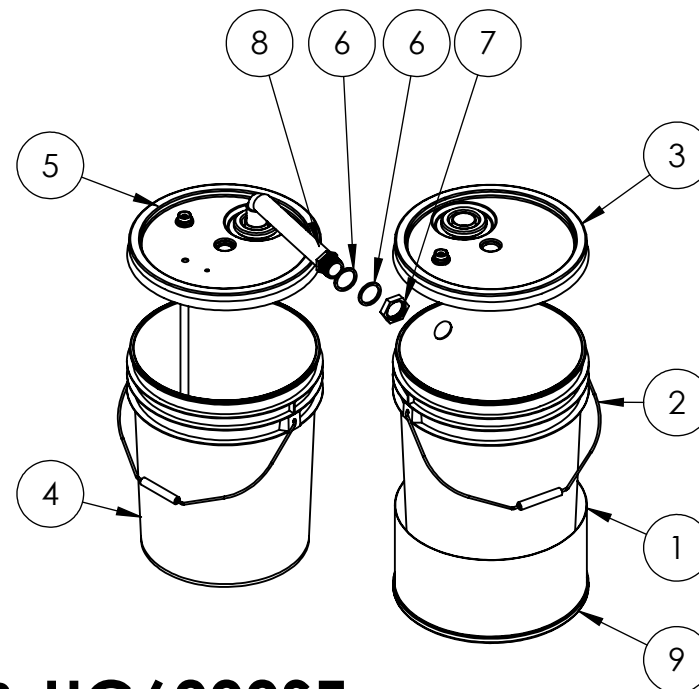
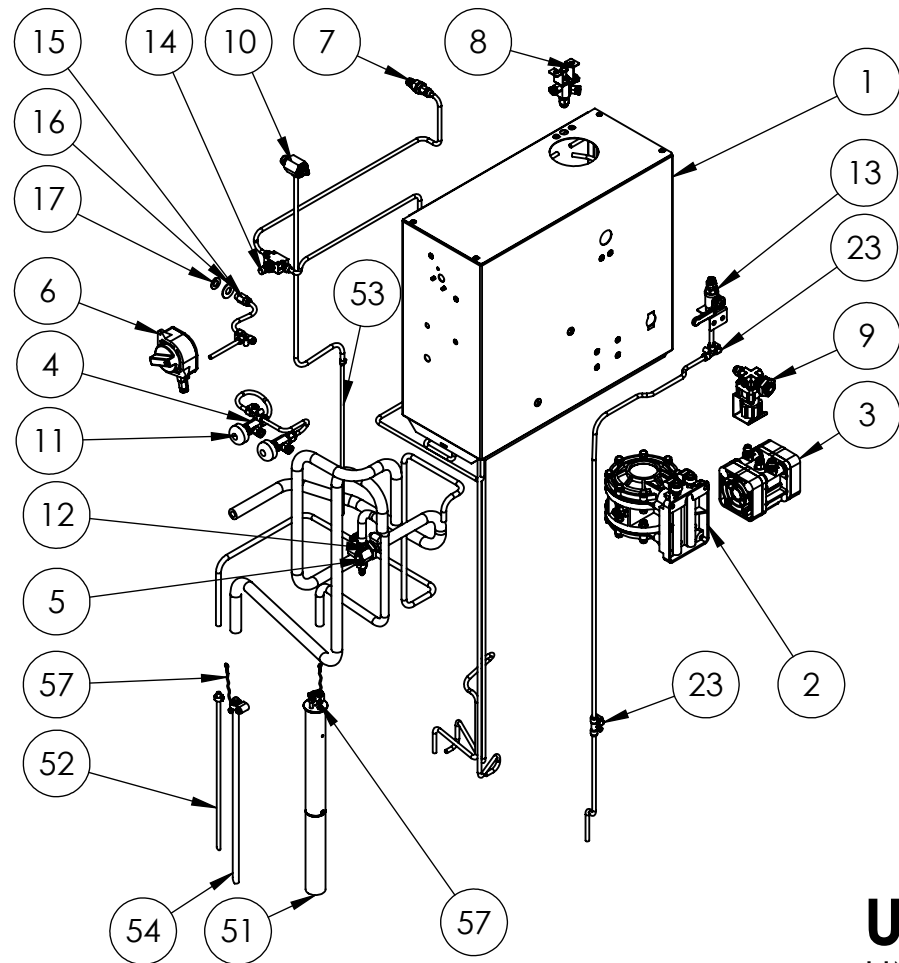


UG6000S & UG6000SE
 UNI-RAM CORPORATION
 REV. MAY-2017

BOM Table of 240-4000-D			
ITEM NO.	PartNo	DESCRIPTION	QTY.
1	240-4100	WELDED CONTROL BOX WITH TOP COVER FOR UG6000	1
2	UDP4TA	DUAL DIAPHRAGM PUMP, 4", DELRIN BODY, TEFLON DISC, B/M INCL	1
3	UDP2TAB	2"DIA-PUMP, TEFLON BALL, WITH 8MM INLET AND 6MM OUTLET FITTINGS	1
4	115-400BF	RINSE VALVE ASSY, 2-WAY, HEAVY DUTY	2
5	140-400F	COMBINATION VALVE ASSY	1
6	115-200K	MECH. MANUAL TIMER KIT, 5 MINS.	1
7	110-470	FITTING SUB-ASSY TO MANUAL BRUSH	1
8	114-800V	LID SWITCH ASSY, 4-WAY, 3-OUT	1
9	120-020PR	AIR PRESSURE REGULATOR, SET TO 85 PSI	1
10	140-270	SYPHON VENTURI ASSY.	1
11	140-731F	PUSH BUTTON, RINSE	2
12	Z111-D	Locknut 1/2 NPS BRASS	1
13	780-4610	BALL VALVE ASSEMBLY, 1/4", WITH BRACKET	1
14	150-3780	LIQUID FLOW CONTROL ASSEMBLY, 6MM TUBE	1
15	QCF1418L	QUICK CONNECTOR 1/4"OD TUBE X 1/8" NPT LONG	1
16	99-614S	3/8" WASHER S.S.	1
17	780-4651	WASHER, NYLON, 0.750"OD X 0.390"IDX, 0.62" T	1
23	QC1EE14	QC FITTING TEE, FOR 6MM OD HOSE	4
51	URP100S	RINSE PUMP, 100CC	1
52	103-271	SUCTION TUBE, 6MM OD X 12" LG	1
53	140-271	SUCTION TUBE, 5MM OD X 12" LG	1
54	150-8350	SUCTION TUBE 10MM OD WELDED WITH NUT, FOR UG5000W	1
55	100-255	Single Pinch HOSE CLAMP, 9.5MM	1
57	100-8335	GROUND WIRE ASSY, 14GA, 36" LG, GREEN.	2

BOM Table of 140-8000			
ITEM NO.	PartNo	DESCRIPTION	QTY.
1	780-8116	RAISER, FOR RINSE PAIL IN E MODEL GUN CLEANER	1
2	780-8133H	TRANSLUCENT BUCKET, WITH OVERFLOW HOLE, HDPE, 5 US GAL, NRC 90ML, MODIFIED FROM 780-8133	1
3	780-8140	RINSE SOLVENT PAIL REMOVABLE LID WITH FITTINGS SUB-ASSY.	1
4	780-8133	TRANSLUCENT BUCKET W HANDLE, HDPE, 5 US GAL, NRC 90ML, PART OF 780-8132	1
5	780-8150	WASH SOLVENT PAIL REMOVABLE LID WITH FITTINGS	1
6	ZFW1375-2	1" PIPE WASHER	2
7	ZDSBH331-16	1" NPS LOCKNUT, ZINC	1
8	750-815P	OVERFLOW TUBE SET, PLASTIC	1
9	780-8106	TRIM FOR RAISER	1

BOM Table of 150-8000RT			
ITEM NO.	PartNo	DESCRIPTION	QTY.
1	150-8111RT	WASH PAIL, HDPE, RECTANGULAR, 20L=5GALLON, W/CAP, W/ SUCTION HOLES AND DRAIN HOLE	1
2	150-8114RT	PINSE PAIL, HDPE RECTANGULAR, 20L=5GALLON, W/CAP, W/RINSE PUMP HOLE	1



UG6000S & UG6000SE
 UNI-RAM CORPORATION
 REV. MAY-2017