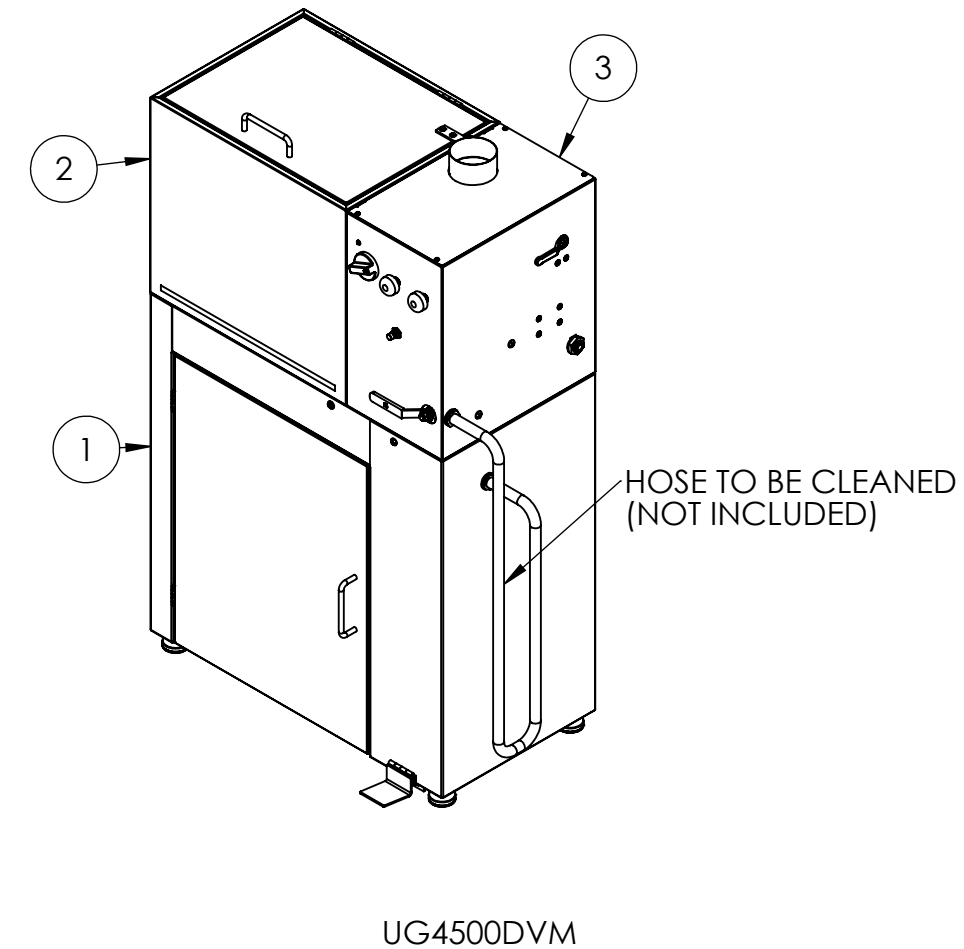
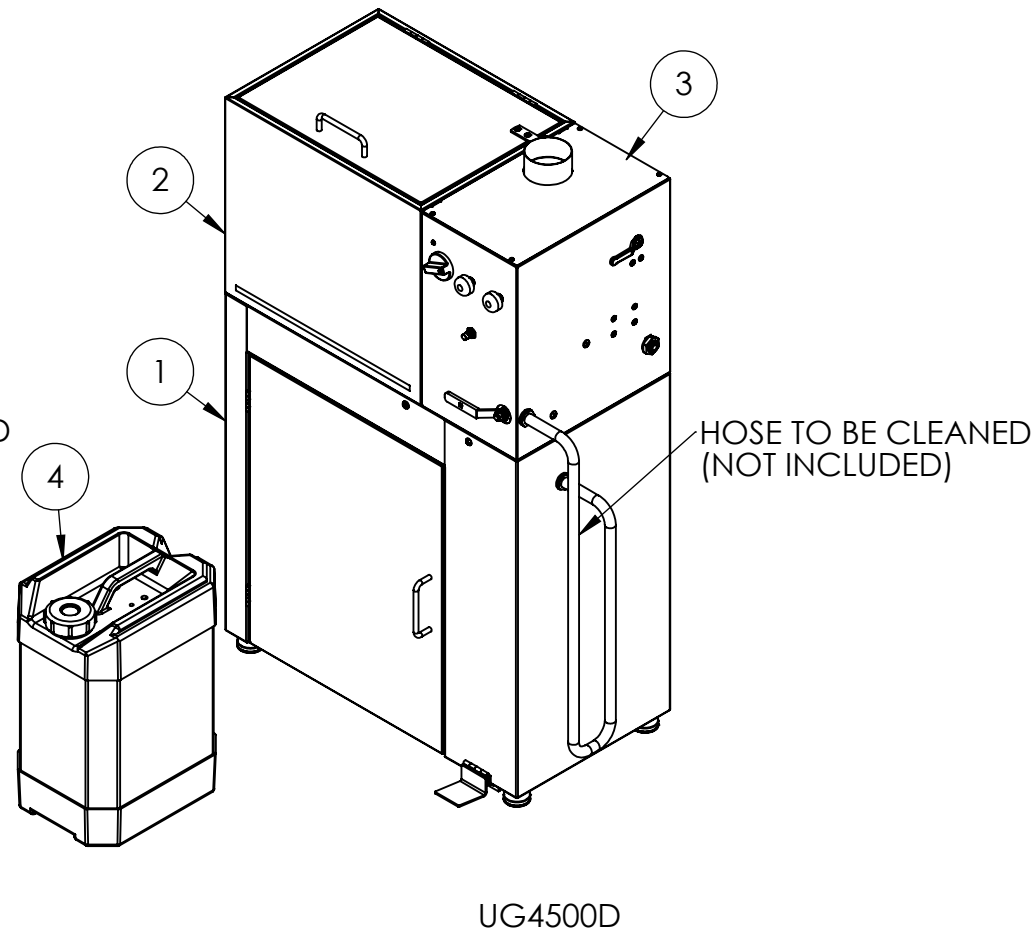
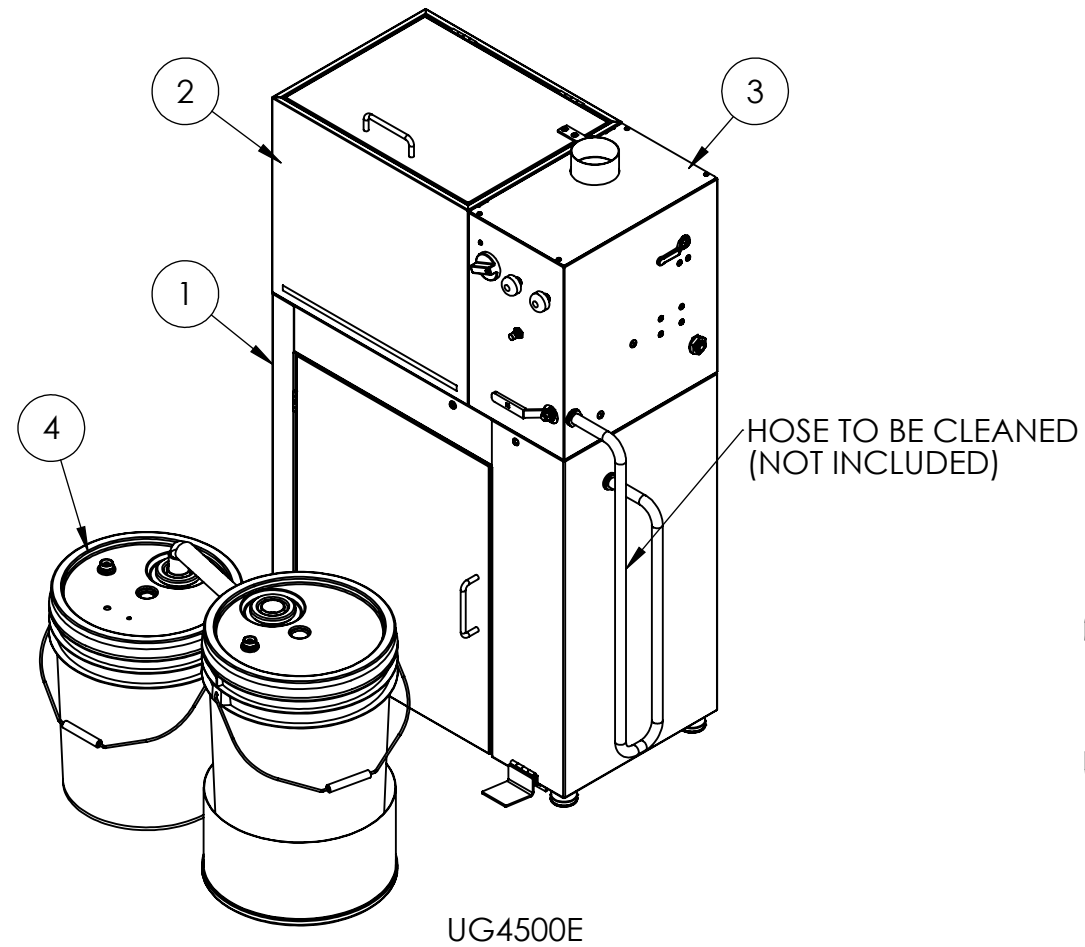


BOM Table of UG4500-B			
ITEM NO.	PartNo	DESCRIPTION	UG4500E/QTY.
1	145-600T	UG4500 CABINET ASSY	1
2	140-200F	UG4000 TANK ASSY.	1
3	245-400	CONTROL BOX WITH PUMPS AND FITTINGS, UG4500	1
4	140-8000	PAIL SET FOR E MODEL, LID REMOVABLE TYPE, USE TRANSLUCENT RP BUCKET	1

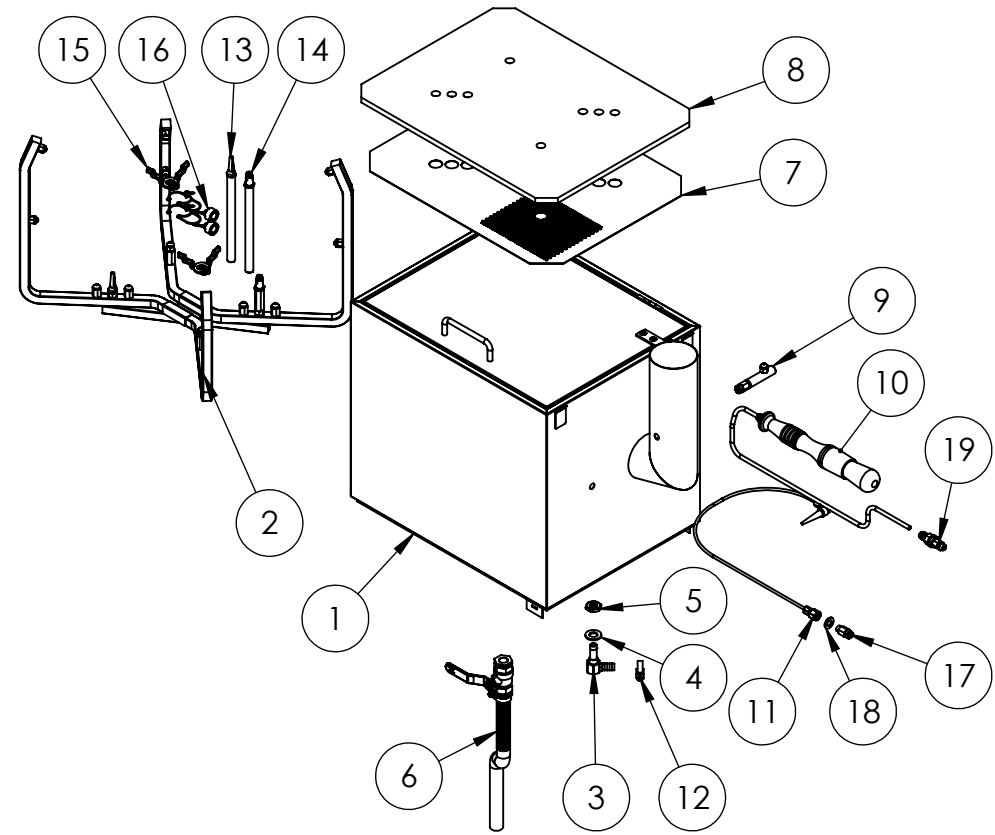
BOM Table of UG4500-B			
ITEM NO.	PartNo	DESCRIPTION	UG4500D/QTY.
1	145-600T	UG4500 CABINET ASSY	1
2	140-200F	UG4000 TANK ASSY.	1
3	245-400	CONTROL BOX WITH PUMPS AND FITTINGS, UG4500	1
4	150-8111RT	WASH PAIL, HDPE, RECTANGULAR, 20L=5GALLON, W/CAP, W/ SUCTION HOLES AND DRAIN HOLE	1

BOM Table of UG4500-B			
ITEM NO.	PartNo	DESCRIPTION	UG4500DVM/QTY.
1	145-600T	UG4500 CABINET ASSY	1
2	140-200F	UG4000 TANK ASSY,	1
3	245-400	CONTROL BOX WITH PUMPS AND FITTINGS, UG4500	1

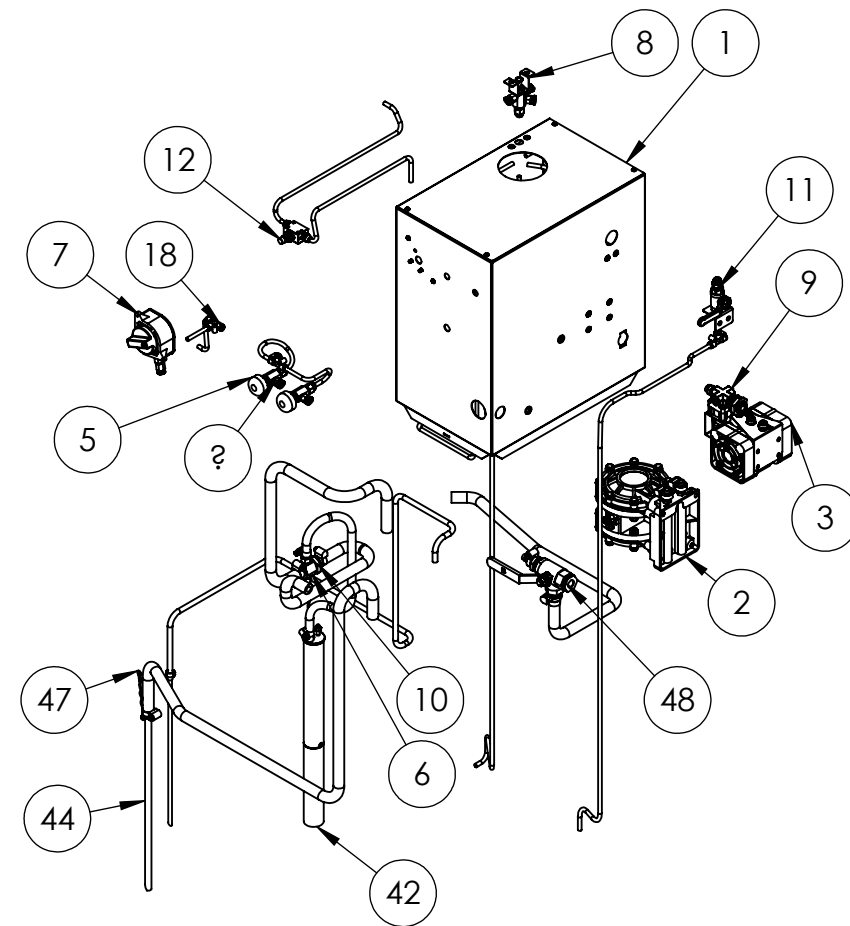


UG4500
UNI-RAM CORPORATION
REV.JUNE-2017

BOM Table of 140-200F-G			
ITEM NO.	PartNo	DESCRIPTION	QTY.
1	140-300N	UG4000 TANK	
2	140-360S	DELIVERY S.S TUBE ASSY	
3	140-450	CENTRE CONNECTOR WITH FITTING	
4	110-465	NYLON WASHER 25.4*13.35	
5	100-463	BRASS NUT, UNION ADAPTOR, 1/4" NPS	
6	140-480	DRAIN VALVE WITH FITTINGS AND HOSE SUB-ASSY	
7	100-332N	FLAME RETARDING SCREEN	
8	FP6500-1	FILTER PAD	
9	36-110J	AIR VENTURI AND SUPPORT	
10	144-390S	MANUAL BRUSH WITH COMPRESS FITTING, 6MM, FOR SOLVENT	1
11	140-230	AIR PURGE KIT, SPRAY GUN	1
12	110-261	HOSE CLAMP, #5, S.S.FOR 11/16"OD, 10mm. TO 16mm.	1
13	110-430	TAPER NOZZLE ADAPTER, ALM. TUBE, 6.5" LG	1
14	110-430PPS	NOZZLE ADAPTER FOR PPS, ALM. TUBE, 6.5" LG	1
15	100-413F	CUP HOLDER	2
16	140-2340	TWO SETS KIT-PLUG, INCL.TWO 140-2341	1
17	QCF1418L	QUICK CONNECTOR 1/4"OD TUBE X 1/8" NPT LONG	1
18	780-4651	WASHER, NYLON, 0.750"ODx0.390"IDX.062" T	1
19	110-470	FITTING SUB-ASSY TO MANUAL BRUSH	1

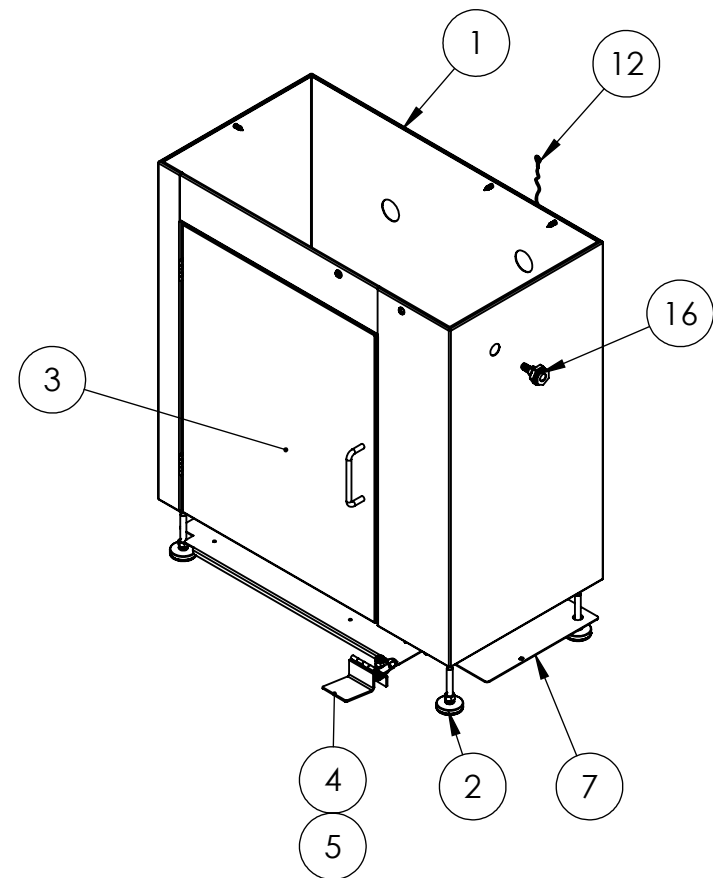


BOM Table of 245-400			
ITEM NO.	PartNo	DESCRIPTION	QTY.
1	245-410	CONTROL BOX FOR UG4500, MIDIFIED FROM 240-410	1
2	UDP4TA	DUAL DIAPHRAGM PUMP, 4", DELRIN BODY, TEFLON DISC, B/M INCL	1
3	UDP2TAB	2" DIA-PUMP, TEFLON BALL, WITH 8MM INLET AND 6MM OUTLET FITTINGS	1
4	115-400BF	RINSE VALVE ASSY, 2-WAY, HEAVY DUTY	2
5	140-731F	PUSH BUTTOM, RINSE	2
6	140-400F	COMBINATION VALVE ASSY	1
7	115-200K	MECH. MANUAL TIMER KIT, 5 MINS.	1
8	114-800V	LID SWITCH ASSY, 4-WAY, 3-OUT	1
9	120-020PR	AIR PRESSURE REGULATOR, SET TO 85 PSI	1
10	Z111-D	Locknut 1/2 NPS BRASS	1
11	780-4610	BALL VALVE ASSEMBLY, 1/4", WITH BRACKET	1
12	150-3780	LIQUID FLOW CONTROL ASSEMBLY, 6MM TUBE	1
18	QCTEE14	QC FITTING TEE, FOR 6MM OD HOSE	3
31	URT6MM-BL	PU TUBE 6MM OD, BLUE, XX" LG	1
42	URP100S	RINSE PUMP, 100CC	1
43	103-271	SUCTION TUBE, 6MM OD X 12" LG	1
44	150-8350	SUCTION TUBE 10MM OD WELDED WITH NUT, FOR UG5000W	1
45	100-255	Single Pinch HOSE CLAMP, 9.5MM	1
47	100-8335	GROUND WIRE ASSY, 14GA, 36" LG, GREEN,	2
48	160-180	3-WAY VALVE ASSY, WITH 3/8" HOSE BARB	1

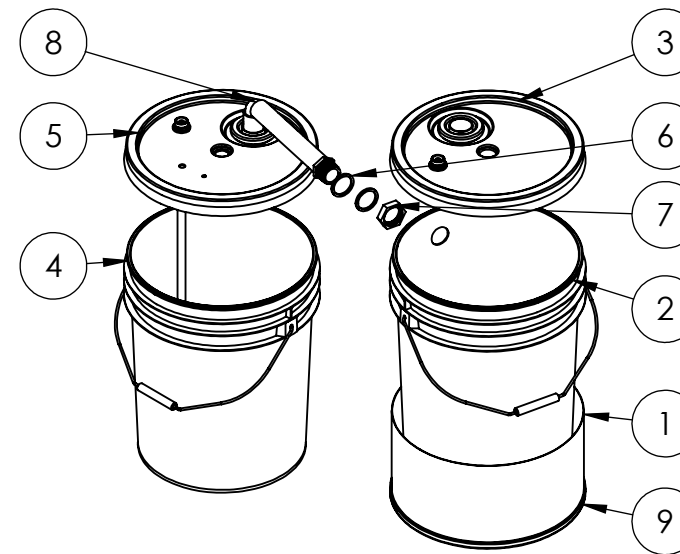


UG4500
UNI-RAM CORPORATION
REV.JUNE-2017

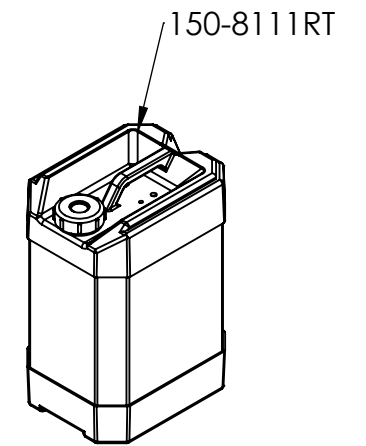
BOM Table of 145-600T-A			
ITEM NO.	PartNo	DESCRIPTION	QTY.
1	145-620T	CABINET FOR UG4500E, MODIFIED FROM 140-620T	1
2	110-531L	ADJUSTABLE FOOT, LONG, 3/8-16x2.5"L STUD*GC *SR	4
3	150-630T	DOOR ASSEMBLY FOR UG4000	1
4	240-7510	FOOT PEDAL, HEAVY DUTY	1
5	240-7513	PIN RUBBER SLEEVE, FOR FOOT PEDAL	1
7	140-6235	FLOOR	1
12	100-835	GROUND WIRE ASSY, 18GA., 4FT, GREEN, BOTH ENDS WITH 1/4" NON-INSULATED TIN-PLATED COPPER RING TERMINAL	1
16	145-625	HOSE CLEANING FITTING SUB-ASSY	1



BOM Table of 140-8000			
ITEM NO.	PartNo	DESCRIPTION	QTY.
1	780-8116	RAISER, FOR RINSE PAIL IN E MODEL GUN CLEANER	1
2	780-8133H	TRANSLUCENT BUCKET, WITH OVERFLOW HOLE, HDPE, 5 US GAL, NRC 90ML, MODIFIED FROM 780-8133	1
3	780-8140	RINSE SOLVENT PAIL REMOVABLE LID WITH FITTINGS SUB-ASSY.	1
4	780-8133	TRANSLUCENT BUCKET W HANDLE, HDPE, 5 US GAL, NRC 90ML, PART OF 780-8132	1
5	780-8150	WASH SOLVENT PAIL REMOVABLE LID WITH FITTINGS	1
6	ZFW1375-2	1" PIPE WASHER	2
7	ZDSBH331-16	1" NPS LOCKNUT, ZINC	1
8	750-815P	OVERFLOW TUBE SET, PLASTIC	1
9	780-8106	TRIM FOR RAISER	1



USE FOR UG4500E



USE FOR UG4500D

UG4500
UNI-RAM CORPORATION
REV. JUNE-2017