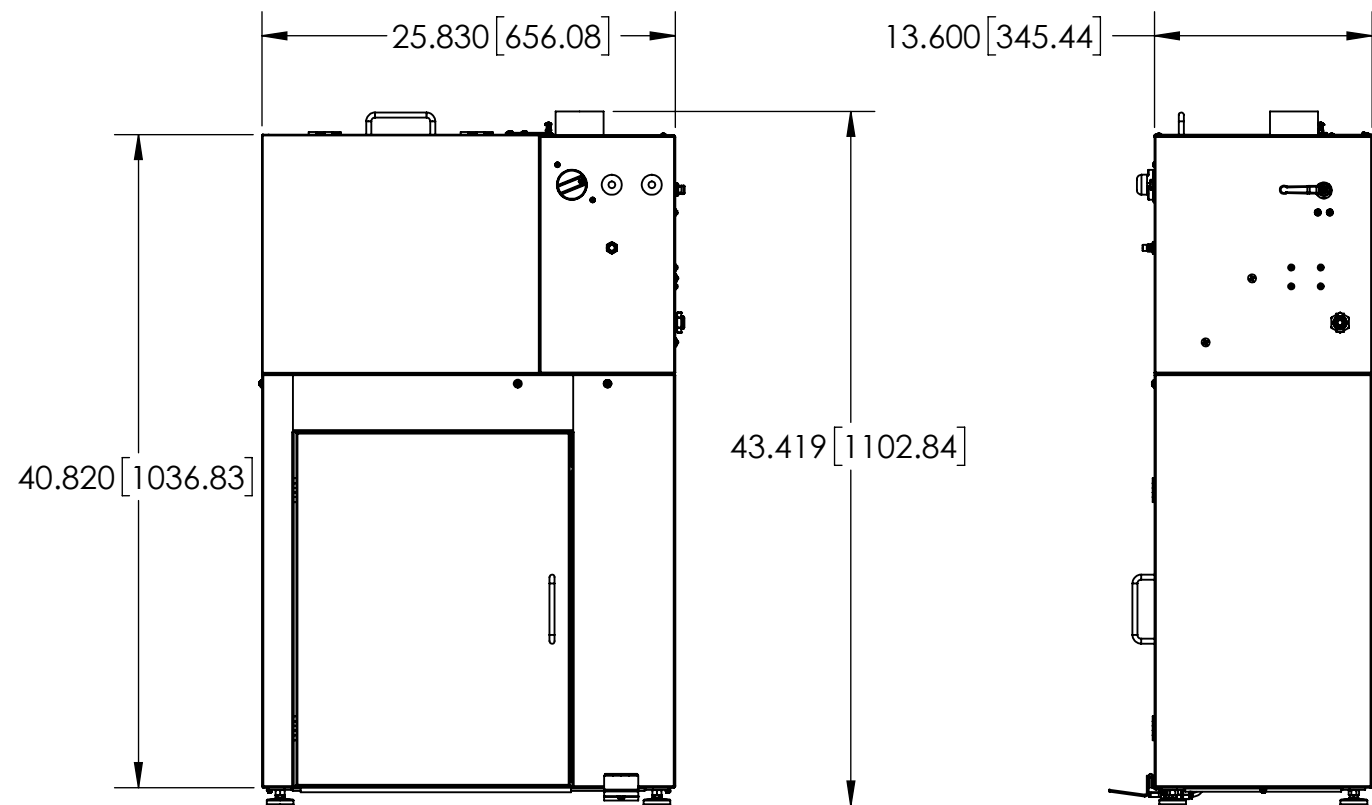
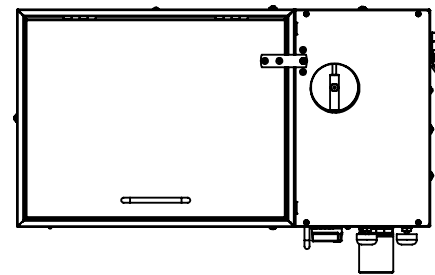
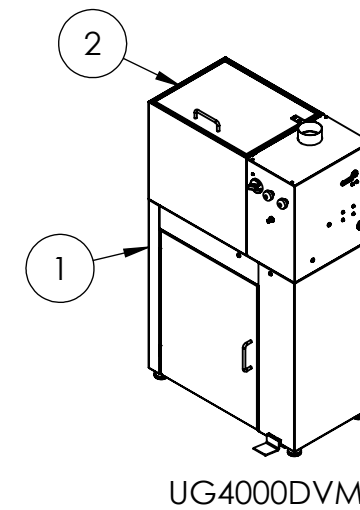
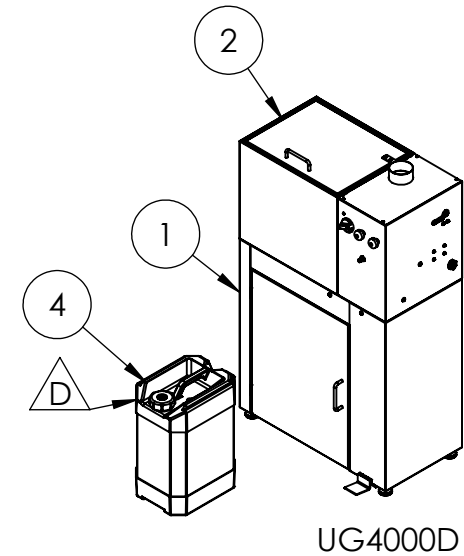
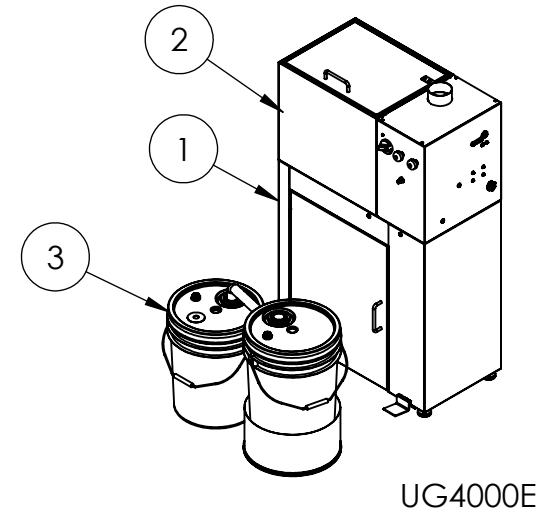


BOM Table of UG4000-D							
ITEM NO.	PartNo	DESCRIPTION	Material	UG4000DVM/QTY.	UG4000E/QTY.	UG4000D/QTY.	Revision
1	140-600T	UG4000 CABINET ASSY	SEE PARTS	1	1	1	D
2	140-2000F	UG4000 TANK WITH CONTROL BOX COMPLETE	SEE PARTS	1	1	1	C
3	140-8000	PAIL SET FOR E MODEL, LID REMOVABLE TYPE, USE TRANSLUCENT RP BUCKET	See Parts	-	1	-	F
4	150-8115SKS	SOLVENT WASH PAIL, HDPE, RECTANGULAR, 20L=5 GALLON, WITH SS FILTER HOLES ON CAP AND DRAIN HOLE	PE High Density	-	-	1	C

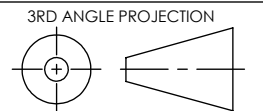


ZONE	REV.	DESCRIPTION	DATE	NAME
D		PAIL USE SK TYPE DUE TO USE SS FILTER	2018-08-22	KEN
C		USE SS CARTRIDGE FILTER	2018-05-29	KEN
B		CREATE DRAWING	6/14/2017	KEN

REVISIONS

THE INFORMATION CONTAINED IN THIS DRAWING IS THE SOLE PROPERTY OF UNI-RAM CORP. ANY REPRODUCTION IN PART OR AS A WHOLE WITHOUT THE WRITTEN PERMISSION OF UNI-RAM CORP. IS PROHIBITED.

**Uni-ram Corporation**  
 MARKHAM ONTARIO CANADA  
 TEL: 1-800-417-9133  
 FAX: (905)477-8922



UNLESS OTHERWISE SPECIFIED: DIMENSIONS ARE IN INCHES  
 TOLERANCES:  
 FRACTIONAL ± 1/32  
 2 PLACE DECIMAL ± .015  
 3 PLACE DECIMAL ± .005  
 ANGULAR: ± 1/2°

TITLE: **UG4000 SERIES GUN CLEANER**

PROJECT: UG4000  
 BINDER:  
 SCALE: DO NOT SCALE DRAWING  
 SHEET No: 1 OF 4

	DATE	NAME
DWN	JUNE-14-2017	KEN
CHKD		
APPD		

MAT'L- See Parts  
 WEIGHT: 88.45 LBS

QTY-  
 FILE NAME: UG4000

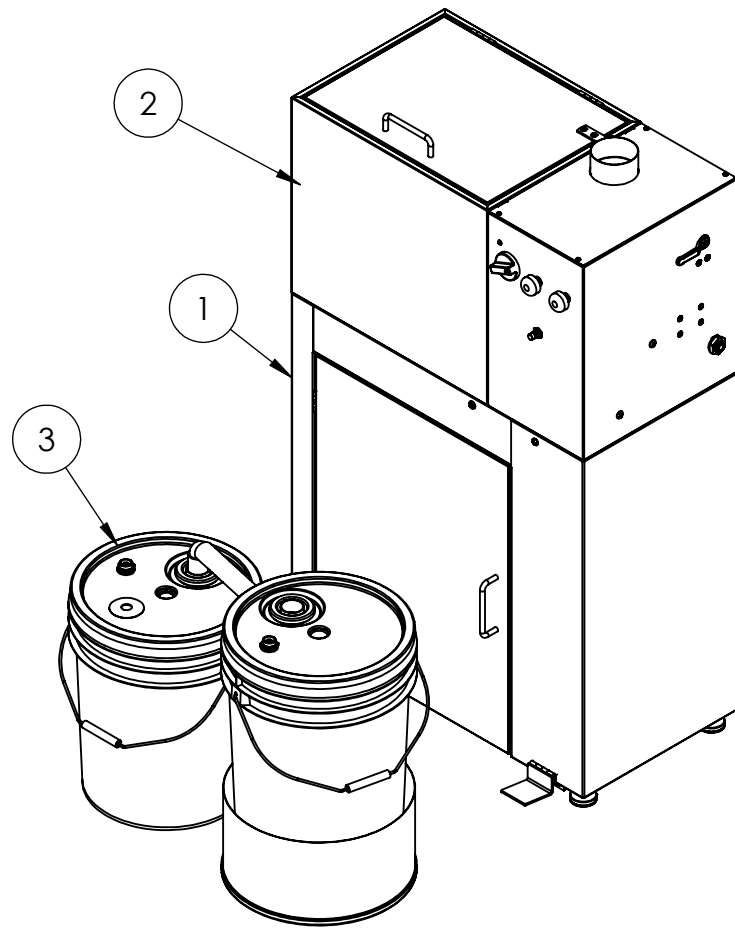
PATH: N:\Engineers\KEN\UG4000\_UIC4C\

DWG. NO. **UG4000** REV **D**

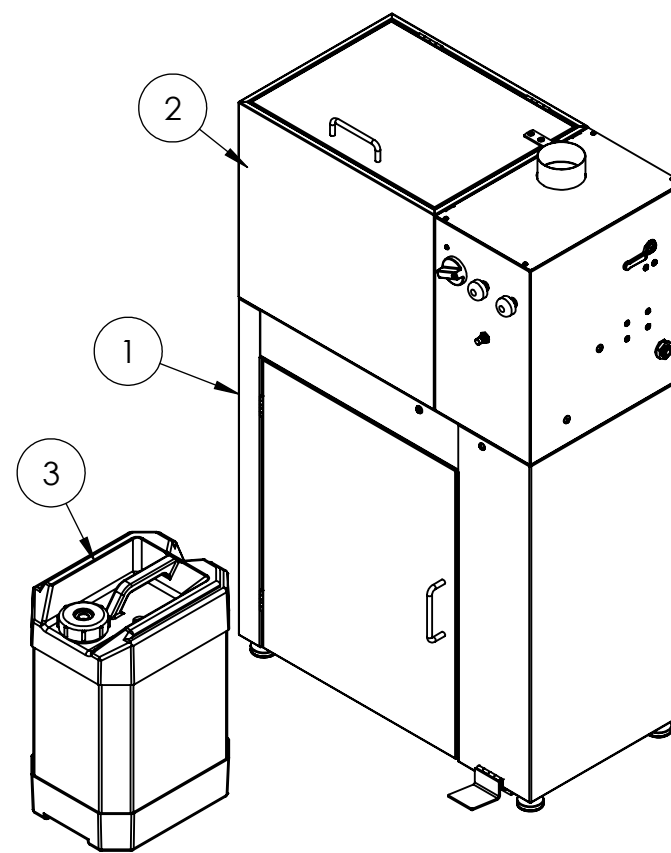
BOM Table of UG4000-D			
ITEM NO.	PartNo	DESCRIPTION	UG4000E/QTY.
1	140-600T	UG4000 CABINET ASSY	1
2	140-2000F	UG4000 TANK WITH CONTROL BOX, COMPLETE	1
3	140-8000	PAIL SET FOR E MODEL, LID REMOVABLE TYPE, USE TRANSLUCENT RP BUCKET	1

BOM Table of UG4000-D			
ITEM NO.	PartNo	DESCRIPTION	UG4000D/QTY.
1	140-600T	UG4000 CABINET ASSY	1
2	140-2000F	UG4000 TANK WITH CONTROL BOX, COMPLETE	1
3	150-8115KS	SOLVENT WASH PAIL, HDPE, RECTANGULAR, 20 L=5GALLON, WITH SS FILTER HOLES ON CAP AND DRAIN HOLE	1

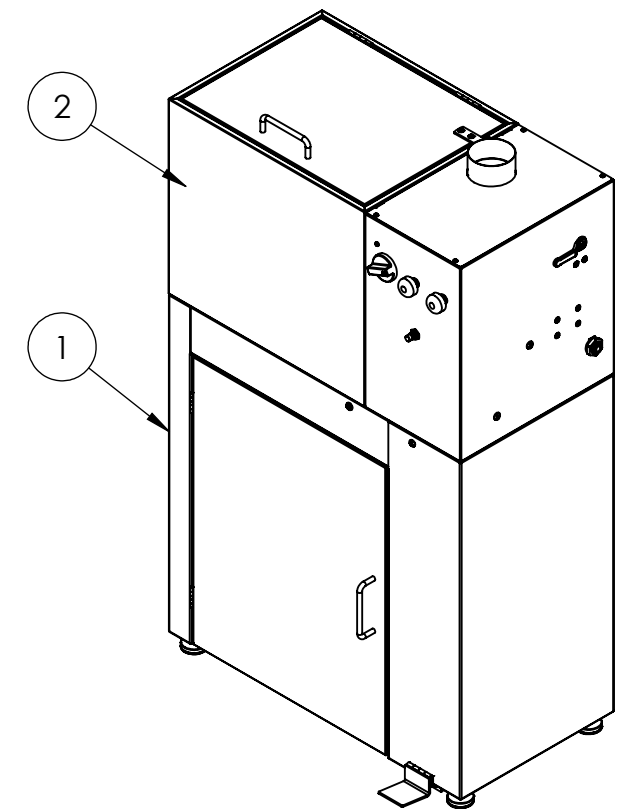
BOM Table of UG4000-D			
ITEM NO.	PartNo	DESCRIPTION	UG4000DVM/QTY.
1	140-600T	UG4000 CABINET ASSY	1
2	140-2000F	UG4000 TANK WITH CONTROL BOX, COMPLETE	1



UG4000E



UG4000D



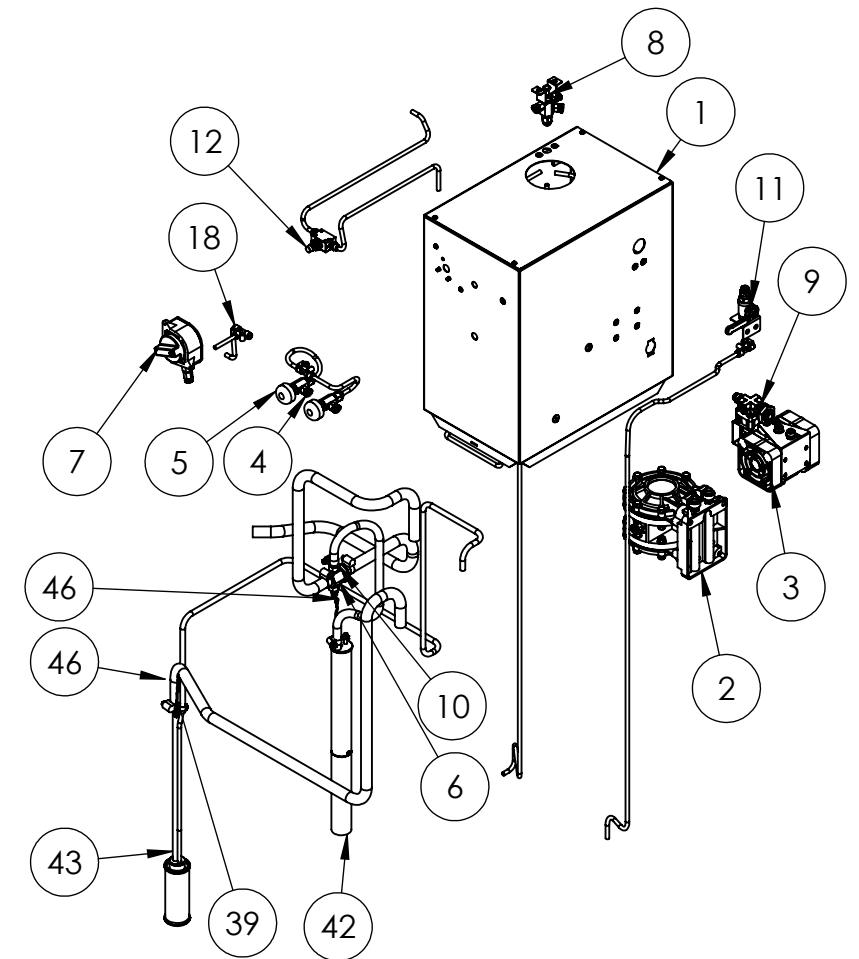
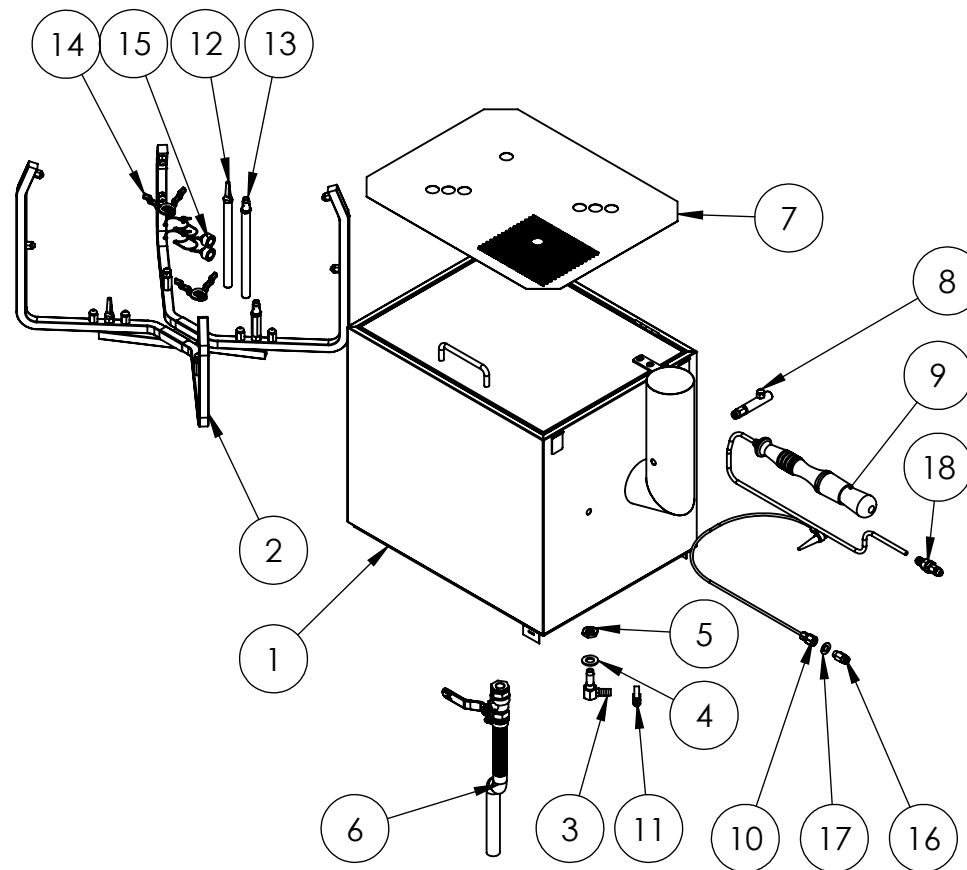
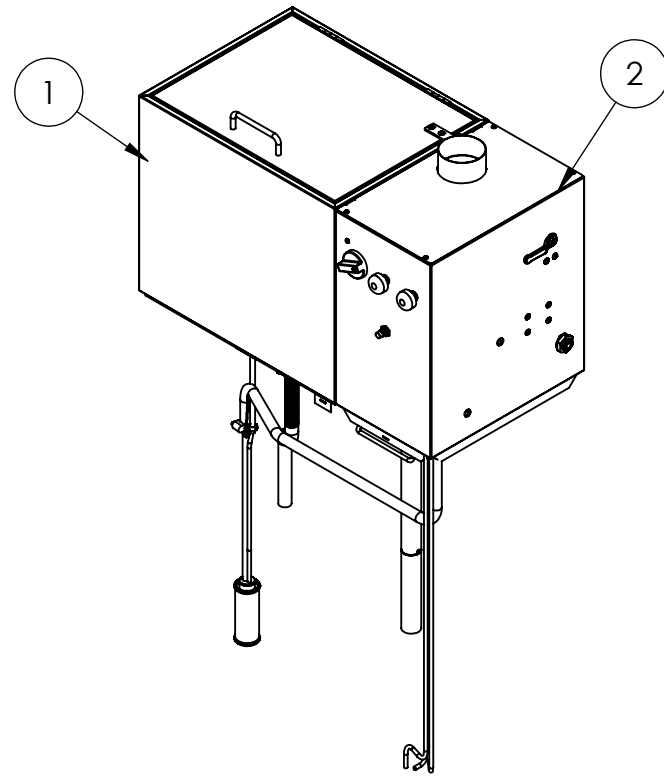
UG4000DVM

**UG4000**  
**UNI-RAM CORPORATION**  
 REV.C, DATE: 2018-08-22

BOM Table of 140-2000F-C			
ITEM NO.	PartNo	DESCRIPTION	QTY.
1	140-200F	UG4000 TANK ASSY,	1
2	240-400	CONTROL BOX WITH PUMPS AND FITTINGS	1

BOM Table of 140-200F			
ITEM NO.	PartNo	DESCRIPTION	QTY.
1	140-300N	UG4000 TANK	1
2	140-360S	DELIVERY S.S TUBE ASSY	1
3	140-450	CENTRE CONNECTOR WITH FITTING	1
4	110-465	NYLON WASHER 25.4*13.35	1
5	100-463	BRASS NUT, UNION ADAPTOR, 1/4" NPS	1
6	140-480	DRAIN VALVE WITH FITTINGS AND HOSE SUB-ASSY	1
7	100-332N	FLAME RETARDING SCREEN	1
8	36-110J	AIR VENTURI AND SUPPORT	1
9	144-390S	MANUAL BRUSH WITH COMPRESS FITTING, 6MM, FOR SOLVENT	1
10	140-230	AIR PURGE KIT, SPRAY GUN	1
11	110-261	HOSE CLAMP, #5, S.S. FOR 11/16" OD, 10mm, TO 16mm.	1
12	110-430	TAPER NOZZLE ADAPTER, ALM. TUBE, 6.5" LG	1
13	110-430PPS	NOZZLE ADAPTER FOR PPS, ALM. TUBE, 6.5" LG	1
14	100-413F	CUP HOLDER	2
15	140-2340	TWO SETS KIT-PLUG, INCL. TWO 140-2341	1
16	QCF1418L	QUICK CONNECTOR 1/4" OD TUBE X 1/8" NPT LONG	1
17	780-4651	WASHER, ZD1910, 0.750" OD X 0.390" ID X 0.62" T	1
18	110-470	FITTING SUB-ASSY TO MANUAL BRUSH	1

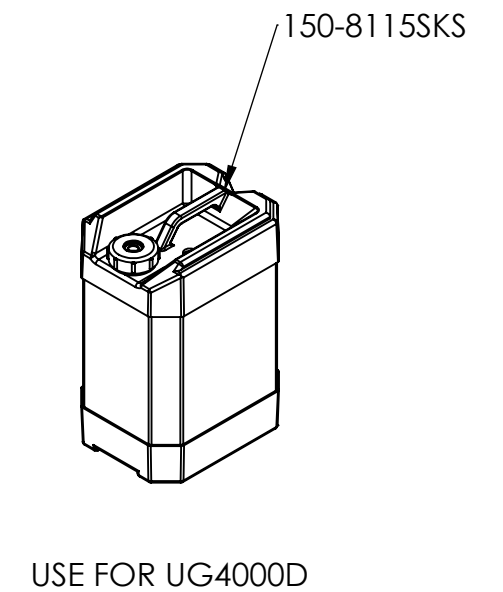
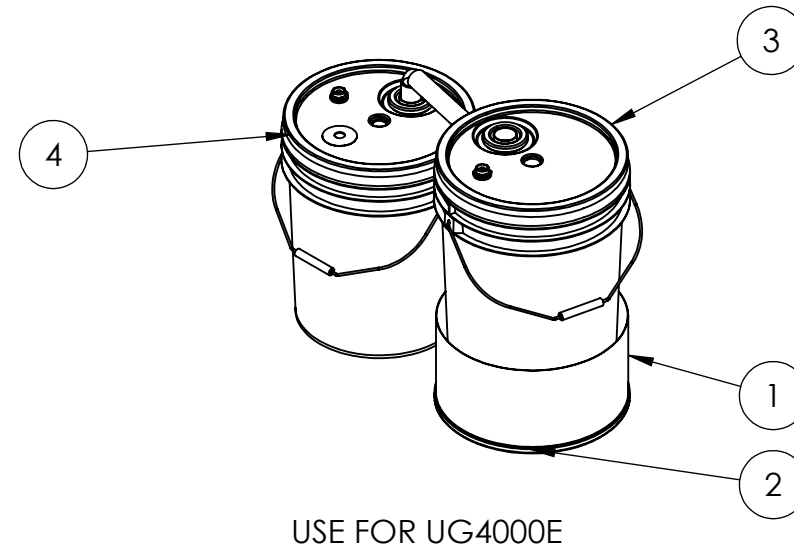
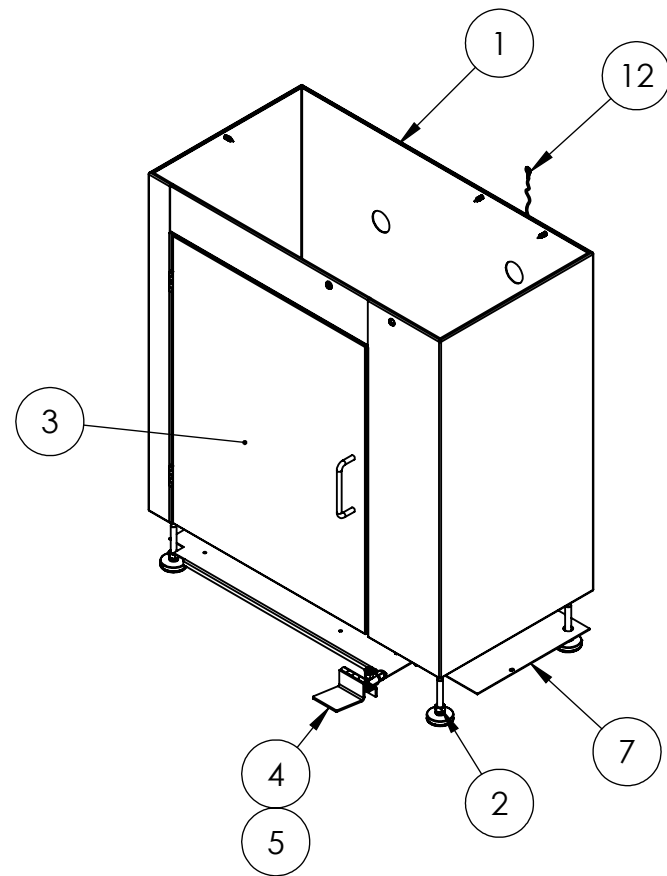
BOM Table of 240-400			
ITEM NO.	PartNo	DESCRIPTION	QTY.
1	240-410	CONTROL BOX WELDMENT ASSY	1
2	UDP4TA	DUAL DIAPHRAGM PUMP, 4", DELRIN BODY, TEFLON DISC, B/M INCL	1
3	UDP2TAB	2" DIA-PUMP, TEFLON BALL, WITH 8MM INLET AND 6MM OUTLET FITTINGS	1
4	115-400	RINSE VALVE ASSY, 2-WAY, HEAVY DUTY, M10 THREAD	2
5	140-731F	PUSH BUTTOM, RINSE	2
6	140-400F	COMBINATION VALVE ASSY	1
7	115-200K	MECH. MANUAL TIMER KIT, 5 MINS.	1
8	114-800V	LID SWITCH ASSY, 4-WAY, 3-OUT	1
9	120-020PR	AIR PRESSURE REGULATOR, SET TO 85 PSI	1
10	Z111-D	Locknut 1/2 NPS BRASS	1
11	780-4610	BALL VALVE ASSEMBLY, 1/4", WITH BRACKET	1
12	150-3780	LIQUID FLOW CONTROL ASSEMBLY, 6MM TUBE	1
18	QCTEE14	QC FITTING TEE, FOR 6MM OD HOSE	3
42	URP100S	RINSE PUMP, 100CC	1
43	150-4200	INLET TUBE WITH FILTER SUB-ASSY	1
46	100-8335	GROUND WIRE ASSY, 14GA, 36" LG, GREEN,	2



**UG4000**  
**UNI-RAM CORPORATION**  
 REV.C, DATE: 2018-08-22

BOM Table of 140-600T-D			
ITEM NO.	PartNo	DESCRIPTION	QTY.
1	140-620T	CABINET WELDMENT ASSY, UG4000	1
2	110-531L	ADJUSTABLE FOOT, LONG, 3/8-16x2.5"L STUD*GC,*SR	4
3	150-630T	DOOR ASSEMBLY FOR UG4000	1
4	240-7510	FOOT PEDAL, HEAVY DUTY, WITH VALVE	1
5	240-7513	PIN RUBBER SLEEVE, FOR FOOT PEDAL	1
7	140-6235	FLOOR	1
12	100-835-6	GROUND WIRE ASSY, 18GA., 1300MM, GREEN, BOTH ENDS WITH 1/4" NON-INSULATED TIN-PLATED COPPER RING TERMINAL	1

BOM Table of 140-8000			
ITEM NO.	PartNo	DESCRIPTION	QTY.
1	780-8116	RAISER, FOR RINSE PAIL IN E MODEL GUN CLEANER	1
2	780-8106	TRIM FOR RAISER	1
3	780-8141	5 US GAL BUCKET WITH LID SET AND OVERFLOW SET	1
4	780-8151	5 US GAL. BUCKET WITH LID AND TUBING SET,	1



**UG4000**  
**UNI-RAM CORPORATION**  
 REV.C, DATE: 2018-08-22