



USER MANUAL

UM80 SERIES WALL MOUNT SPRAY GUN CLEANERS

**WATER BORNE
UM80W, UM80WA,UM80WF**

**SOLVENT BORNE
UM80S**

CAUTION

**DO NOT USE WATER BORNE UNITS WITH SOLVENT BORNE PAINT
OR
SOLVENT BORNE UNITS WITH WATER BORNE PAINT**

UNI-RAM CORPORATION • ONTARIO • CANADA

INTRODUCTION

Uni-ram holds many patents on designs used in its innovative products. Every machine is tested for compliance with Quality Assurance standards. Follow the directions in this manual under Setup, Operation and Maintenance in order to operate this machine safely and effectively. Not following these instructions can lead to malfunction or damage to the machine. Follow directions under the section below, Cautions and Warnings and on labels attached to the machine. Ensure that the manual is readily available to the operator at all times. If you have any questions about the operation of this machine, call your distributor or a Uni-ram Service Engineer:

North America: Uni-ram Technical Service 1-800-417- 9133

Other Continents: Contact Your Supplier

SETUP

INSPECTION

- Report any transport damage immediately to the carrier and your vendor. Initiate a freight claim with the carrier. The manufacturer is not responsible for freight damage.
- Accessories:
 - Manual
 - Air Blow Gun
 - Whip Line Coupler
 - Coag-Kleen FP, flocculant granules (WF Model only)
 - Aqua-Kleen Cleaner

PLACEMENT AND AIR SUPPLY

- Mount the unit to a wall (hardware not included) in a Spray Booth or another convenient location in the shop.
- Remove the cover on the "Air Input" (right side of machine) and attach an air supply adapter (not supplied).
- Remove the Air Blow Gun from the accessories bag and place it onto the bracket on the right side of the unit. Connect the air supply tube (blue) to the Air Blow Gun Fitting by inserting the tube. To disconnect the tube, push down on the collar and pull the tube out.

UM80W, WF and WA (Water) Models

- Attach the Whip Line Coupler to the orange line on the left side of machine and to your spray gun using a quick connect fitting (not supplied) on the Spray Gun.

UM80S (Solvent) Model

- Connect the air supply tube (blue) to the blue fitting by inserting the tube. To disconnect, push down on the collar and pull the tube out.

CAUTION

- The air supply must be free from contaminants such as water, dust, rust, tar, grease etc.
- To prevent damage to the Diaphragm Pump an internal Air Pressure Regulator has been installed to limit the air pressure. The pressure must be maintained at 60 PSI for waterborne units and 85 PSI for the UM80S. Do not install a second air pressure regulator.

PAIL SETUP and ADDITION OF UNI-RAM AQUA-KLEEN

Aqua-Kleen is a state-of-the-art cleaning additive with an enhanced corrosion inhibitor for optimal protection of spray guns.

UM80W / UM80WA

Two 5-litre bottle-type containers are included with the unit.

- Fill one container with clean water and add half of a bottle of Uni-ram Aqua Kleen.

- Insert the suction tubes (thin) into this container.
- Insert the drain tube (thick) into the other, empty, container.
- Place both containers under the unit.

UM80WF

- Move the Drain Valve handle located under the cleaning tank to the "closed" (horizontal) position if it is not already there.
- Move the pail outside the unit. Remove the two filters. Pour half of a bottle of Uni-ram Aqua Kleen into the pail and add tap water until the combined liquid level reaches the bottom of the filter holder. Replace filters.
- Insert the manual wash suction tubes into the pail between the Filter Holder and the wall of the pail. Move the pail into the cabinet.

UM80S

One 5-litre bottle-type container is included with the unit.

- Fill the pail with clean solvent and insert the suction tubes (thin) and drain tube (thick) into it.
- Place the pail under the unit.
- Replace the dirty solvent with clean solvent when needed.

CLEANING SELECTOR KNOB

Position the long arm of the selector knob in the vertical position and pointing down. This is the off position. When flow through the nozzle is required point the long arm of the selector arm to the right. When flow through the brush is required point the long arm of the selector arm to the left.

CLEANING SPRAY GUNS



UM80W / WF/ A

- Connect the spray gun to the whip air line or leave the spray gun connected to the main air supply line.
- Interior Cleaning - To clean the paint channel, press the opening of the paint channel against the Cleaning Nozzle, turn the long arm of the Selector Knob to the right and then squeeze the trigger. Hold the gun in this position for about 15 seconds while moving the gun up and down on the nozzle several times to improve the cleaning of the paint channel opening. When finished, turn the Selector Knob to the CLOSED position (long arm of the Selector Knob is pointing down) then remove the gun.

FRONT

UM80W / UM80WA



UM80S



RIGHT SIDE

UM80W / UM80WA



UM80S



- Clean the Cap by rubbing it on the Flat Brush mounted on the inside of the tank.
- Exterior Cleaning - Clean the exterior of the gun with the Flow-through brush. Activate the flow of liquid through the Brush by turning the long arm of the Selector Knob to the left to the Brush position. When finished, turn it to the closed position.

UM80S

The S model does not have a whip line. Follow the procedure above starting with Interior Cleaning

UM80W / WF / A

- Dry Spray Gun: Use the Air Blow Gun to dry the outside of the spray gun. To dry the paint channel, squeeze the trigger of the spray gun.
- Flow Control: To adjust the flow of water through the Nozzle, use the control on the right side. The controls are pre-set at the factory - change only if necessary. To increase the flow, loosen the nut, then turn the knob to the left. To reduce the flow loosen the nut, turn the knob to the right.

UM80S

- Dry Spray Gun: Use the Air Blow Gun to dry the paint channel and the outside of the spray gun.
- Flow Control: The "S" model has a flow control for the Nozzle and Brush on the right side of the unit. The controls are pre-set at the factory - change only if necessary. To increase the flow, loosen the nut, then turn the knob to the left. To reduce the flow loosen the nut, turn the knob to the right.

CAUTION: MAKE SURE THE GUNS ARE COMPLETELY DRY AFTER USE

FLOCCULATION (WF Model Only)

The dirty water from cleaning accumulates in the flocculation reservoir during use. When the Wash Pail is empty follow these steps to treat the water for re-use:

- Remove the Screen at the bottom of the work area and sprinkle 1 full scoop of the flocculant, COAG-KLEEN, evenly over the dirty water. Replace the screen and turn the Flocculation Timer fully to the 5 minute position. When the Timer is finished wait one minute and then turn the timer a second time to the one minute mark. Note: As the flocculation proceeds, the water should become clear. The debris consisting of paint absorbed into the flocculant will collect in the filters during the next step.
- To allow the water-flocculant mixture to flow into filters, open the Flocculation Drain valve.
- Clean the tank with the Brush.
- Close the Flocculation Drain valve (horizontal position).
- Ensure that the Air Agitator in the bottom of the tank lies flat.
- Leave the two filters containing the debris in place until the next day to allow for them to dry thoroughly. When the debris is dry, it should have an "oatmeal like" consistency. The debris can now be disposed of according to local environmental regulations.
- If the filtered water is not clean, see the Troubleshooting section.
- The treated water can be reused until it becomes "silky" to the touch and then it should be disposed of according to local environmental regulations. When adding fresh water, refill until the water reaches the bottom of the filter holder.

LEFT SIDE

UM80W / UM80WA

UM80WA HAS
ADDITIONAL
AIR OUTLET
FOR EXTERNAL
FLOCCULATION



UM80S



TROUBLESHOOTING PROCEDURES

PROCEDURE 1

Blocked Fluid Passage In Diaphragm Pump

If the pump sounds like it is working but liquid does not flow, clear the fluid passage as follows:

- Remove suction tube from the pail and blow air at 60 PSI into the INLET Solvent Hose (see diagram). Start the pump. This procedure may have to be repeated several times. If this procedure does not help, blow some water into the suction hose using a spray gun, wait one minute and start the pump. This procedure may have to be repeated several times. If this procedure does not work, the pump must be replaced.

If you need to replace the pump call your local dealer. The warranty on the diaphragm pump is two years from date of purchase.

This procedure will also clear a blockage in the fluid line for the wash gun.



PROCEDURE 2

Blocked Air Passage In Diaphragm Pump

If there is a steady hissing sound and the pump is not cycling, the spool valve has stalled due to a blocked air passage. Follow the procedure below to clear the blockage.

- Connect a blow gun to an 60 PSI source. Locate the blue hose that extends from the air exhaust port of the diaphragm pump. Use a blow gun to blow air into the open end of this hose. Start pump. If the procedure is successful, the pump will start working. The procedure may have to be repeated several times. If this procedure does not work, replace the pump.
- **Cause:** Contaminants in the air supply (water, oil, solid particles etc)
- **Preventative Action:** If necessary, install an Airline (Moisture) Filter.



PROCEDURE 3

Blocked Passage in Air Line

The components in the air line are the 1) **diaphragm pump**, 2) **air valve** and 3) **regulator**.

To troubleshoot a component:

- 1) Disconnect the air line to the first component using the quick disconnect.
- 2) Start the pump and check for presence of positive air pressure in the air line. If there is ample positive air pressure, replace the component.

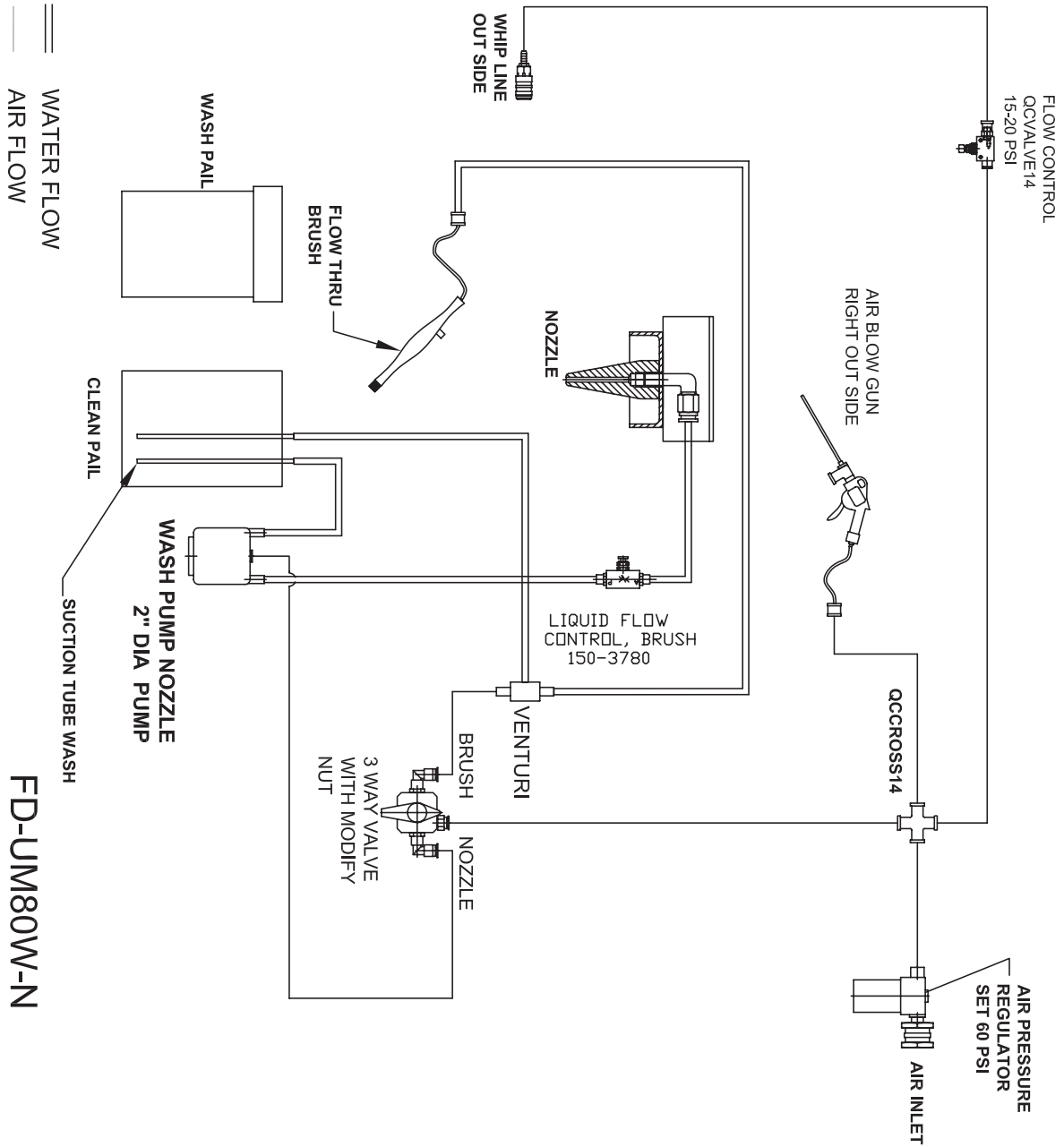
If air pressure is absent, there is a faulty component down stream. Reconnect the air line and check the operation of the next component downstream by following steps 1 and 2 above.

TROUBLESHOOTING CHART

SYMPTOM	REASON	ACTION
PUMP LEAKS AIR OR LIQUID	Pump is defective	Replace pump
WASH LIQUID DOES NOT FLOW AND PUMP MAKES A HISSING NOISE	<ul style="list-style-type: none"> • Wash pail empty • Water in air line causes pump to stall 	<ul style="list-style-type: none"> • Check wash wash level • Follow Procedure 2, Blockage in Air Passage in Diaphragm Pump
WASH LIQUID DOES NOT FLOW AND PUMP DOES MAKE A PUMPING NOISE	<ul style="list-style-type: none"> • Blockage in liquid line • Component malfunction inside pump 	<ul style="list-style-type: none"> • Follow Procedure 1, Blocked Passage in Liquid Line • Replace pump
WASH LIQUID DOES NOT FLOW, PUMP DOES NOT MAKE A NOISE	Pump leaks	Replace pump
	Blockage in air passage	Follow Procedure 3, "Blocked Passage in Air Line".
UM80WF ONLY FILTERED WATER IS NOT CLEAN	<p>Not enough flocculant</p> <p>Not enough agitation</p> <p>Filter needs to be replaced</p>	<p>Do filtering procedure again. Add 1-2 extra spoonfuls of flocculant.</p> <p>Ensure that the Agitator is flat on the bottom of the tank and the air pressure to the unit is at least 40 PSI. Do filtering procedure again including adding flocculant.</p> <p>Replace filter.</p>
UM80WF ONLY FILTERED WATER HAS A "SILKY" FEEL	Filtered water has been used too often	Dispose of filtered water.
	Too much flocculant has been added	Reduce the amount of flocculant added next time.

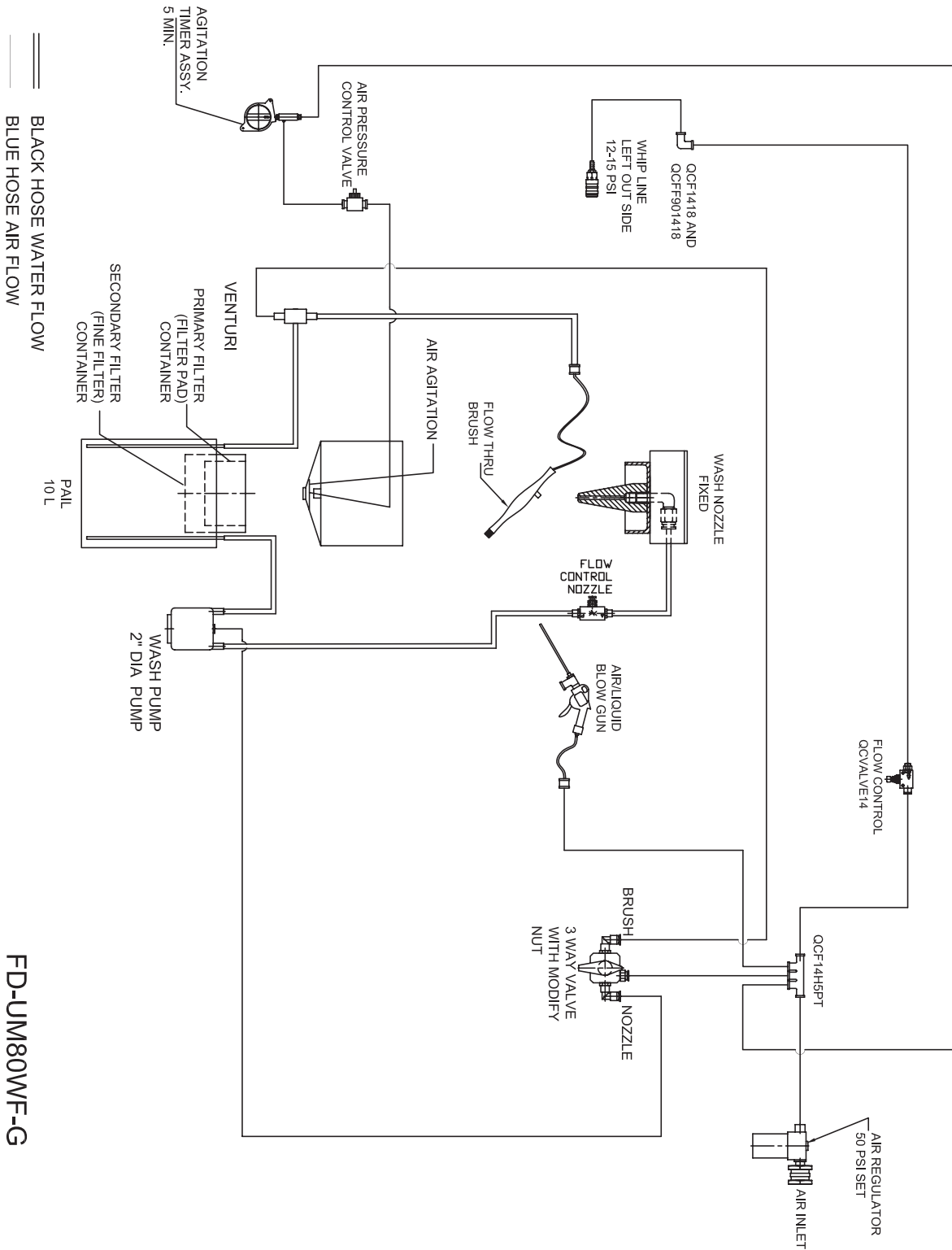
FLOW DIAGRAM - UM80W (WA Model not shown)

Use the diagram to trace the flow of compressed air and water.



FLOW DIAGRAM - UM80WF

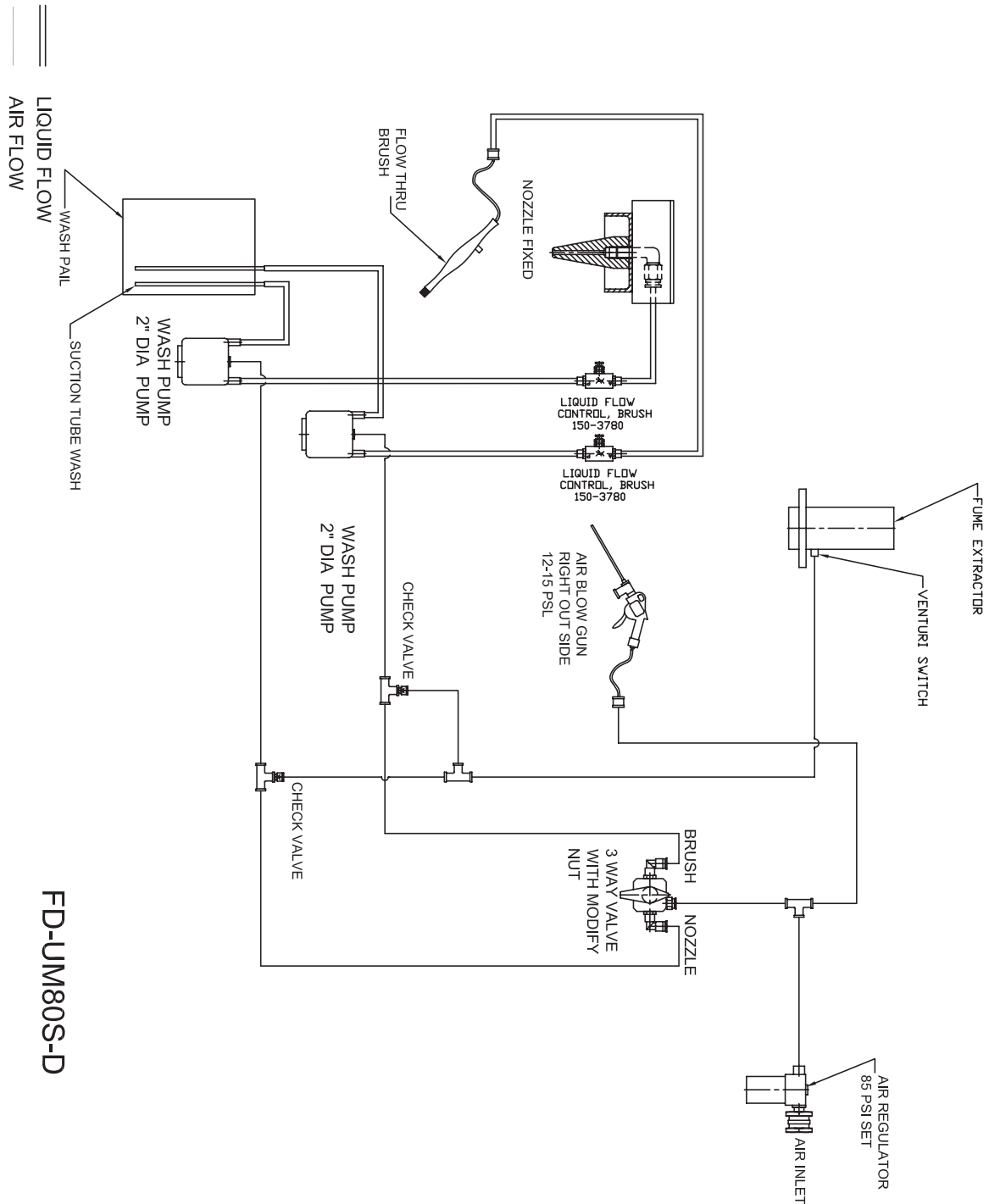
Use the diagram to trace the flow of compressed air and water.



FD-UM80WF-G

FLOW DIAGRAM - UM80S

Use the diagram to trace the flow of compressed air and water.



REPLACEMENT PARTS

DESCRIPTION	PART NUMBER
AIR BLOW GUN	102-7010
DIAPHRAGM PUMP	UDP2TAB
AQUA-KLEEN PAINT GUN CLEANER	102-8200
COAG-KLEEN FLOCCULANT	102-8300
FILTER BAG, PRIMARY	102-8125
FILTER BAG, SECONDARY	102-8126
FILTER HOLDER	102-8120
WASH PAIL (UM80WF ONLY)	103-8111P
5-LITRE BOTTLE TYPE CONTAINER	103-8111B
WASH SCREEN	102-3030
WHIP LINE	102-3980
FLOW-THROUGH BRUSH + HOSE & FITTINGS (SOLVENT)	103-390
FLOW-THROUGH BRUSH + HOSE & FITTINGS (WATER)	144-390W
FLAT BRUSH	103-3992



Full Product Warranty

These Uni-ram products have been engineered and manufactured to high performance standards. Each unit has been subjected to detailed factory testing before shipment.

This product comes with a one-year full warranty from the date of purchase. Uni-ram Corporation reserves the right to repair or replace the unit, free of charge, to the original purchaser if a part is found to be defective in material or workmanship as determined by factory service personnel. The items listed below under "Conditions of Warranty" as consumables are not covered.

Uni-ram reserves the right to direct the customer to ship the unit collect to the Uni-ram factory or to an approved Service Center for repair using the Uni-ram Return Goods Procedure or to repair the unit on-site. To prevent damage in transport, the purchaser must ship the unit in the original packaging or use alternate adequate packaging. All units must be **shipped clean and dry**.

Diaphragm Pump:

We are pleased to advise that the warranty on the diaphragm pump, the heart of the spray gun cleaner, comes with a 2 year replacement warranty. If, in the unlikely event your diaphragm pump fails during the first two years of service, call Uni-ram Service at 1-800-417-9133. We will send you a new pump free of charge and arrange for the return of your original pump.

Conditions of Warranty:

As Uni-ram Corporation has no control over the working conditions or circumstances under which the purchaser stores, handles or uses the product, Uni-ram makes no warranty or claim, either expressed or implied with respect to this product's fitness for any purpose or the result to be obtained from its use. This condition applies to the sale of all products and no representative or distributor of Uni-ram Corporation has the authority to waive or change these conditions.

This warranty applies only to the original purchaser and does not apply if the unit has been misused, overloaded, neglected, altered or used for any purpose other than those specified in the operating and installation instructions. Deterioration due to normal wear is not covered by this warranty. Damage due to accident, transportation, fire, floods or acts of God is also not covered. Units whose serial numbers have been altered or removed are not covered. The warranty is invalid if unauthorized chemicals or solvents with acid content are used in this unit. Unauthorized attempts at self-repair or alterations by the owner also invalidate this warranty. Interior or exterior finishes are not covered by this warranty.

Consumable Items are not covered by this warranty.

This warranty replaces all other warranties expressed or implied by statute or otherwise.

To make a claim, call Uni-ram Service at 1-800-417-9133 and quote the serial number of the unit.