



USER MANUAL

UG2000D SERIES AUTOMATIC SPRAY GUN CLEANERS



CORPORATION

WWW.UNIRAM.COM

- 381 Bentley Street, Markham ON L3R 9T2
- Tel. 1-800-417-9133
- sales@uniram.com

REV 2019-11

INTRODUCTION

Uni-ram holds many patents on designs used in its innovative products. Every machine is tested for compliance with Quality Assurance standards. Follow the directions in this manual under Setup, Operation and Maintenance in order to operate this machine safely and effectively. Not following these instructions can lead to malfunction or damage to the machine. Ensure that the manual is readily available for the operator at all times. If you have any questions about the operation of this machine, call your Distributor or Uni-Ram Service Engineer at 1-800-417- 9133.

COMMON FEATURES

- Automatic Wash
- Clean 2 Spray Guns and 2 Pots at the same time.
- 14 Cleaning Jets with swirl action.
- Shipping Size and Weight: 28" W x 17" D x 42" H, 91 LBS 41 KG.

CAUTIONS AND WARNINGS

- Always disconnect this machine from power sources before performing maintenance.
- **Do not smoke or use near open flames, sparks or heat.**
- **Make sure all ground wires are connected and that unit itself is grounded properly.**

SAFETY EQUIPMENT

- Wear safety eyewear, respiratory protection and protective clothing.
- Wear deluxe extended length neoprene gloves; SAS PN 6588 or Thicksters PN 6602-20 through 6605-20.

SETUP

DELIVERY INSPECTION

- Inspect the shipping carton for any sign of transport damage. Carefully remove the unit from the shipping carton and check the unit for damage. Report any transport damage immediately to the carrier and to Uni-ram Corporation. Initiate a freight claim with the carrier. The manufacturer is not responsible for the freight damage.

Bag of accessories contains the following:

- Push on nozzle extension for disposable cup (110-430PPS).
- Push on nozzle extension for conventional cup system(110-430).
- Trigger lock spring and plug package (140-2340) (2 in a package).

UG2000D



LOCATION

Position the unit in a well-ventilated area away from sparks, heat and open flames, at least 6 " from the back wall.

AIR SUPPLY

- Connect a male air supply adapter (not supplied) into the female Air Inlet on the unit. The male air supply adapter is 1/4" NPT.
- Connect the female air supply hose to the adapter. The air supply hose must be at least 3/8" inside diameter. **The air supply pressure must be at least 85 PSI and the supply air must be free from contaminants such as water, dust, rust, tar and grease. If the air supply is not clean and dry install a moisture filter. The operation and longevity of the pump and other components depends on clean dry supply air.**
- To prevent damage to the Diaphragm Pump an internal Air Pressure Regulator has been installed to limit the air pressure to 85 PSI. Do not install a second air pressure regulator or use a pressure set below 85 PSI.

GROUNDING

- Connect the green ground wire at the back of the unit to a ground in the building.

Note: The pump and metal tube that inserts into each pail are grounded.

Ring Terminal



SOLVENT SELECTION

The adhesion quality of automotive paint has dramatically improved in recent years. The choice of solvent is critical. Only use good quality solvent that is formulated for your paint and intended for use with automatic spray guns cleaners. **DO NOT USE CHLORINATED SOLVENT.**

PAIL SETUP

- Place a 5 gallon pail of commercial solvent inside the cabinet. Place the suction hose and drain valve in the solvent pail.
- Open the drain valve (vertical position).



DRAIN VALVE IS OPEN
(HANDLE IN VERTICAL POSITION).



DRAIN VALVE IS CLOSED
(HANDLE IN HORIZONTAL POSITION).

PRE-CLEAN

- Disconnect the spray gun from the air hose. The method for the disposable cup is described first followed by the method for the conventional cup.

PRE-CLEAN - DISPOSABLE CUP

- Disconnect the disposable cup as shown in photos to the right and far right.
- Squirt solvent into the disposable cup adapter, shown in photo on far right.
- Pull the gun's trigger to flush the solvent through the fluid channel and into the paint waste container (not supplied) for later disposal.



Disposable Cup



Pre clean Fluid Passageway

PRE-CLEAN - CONVENTIONAL CUP

- Disconnect the cap and pour the paint waste into a paint waste container (not supplied).

CLEANING SPRAY GUNS AND CUPS

- Remove digital air gauge if so equipped.
- Loosen the air cap of the spray gun two full turns.
- Lock the trigger in the open position with the Trigger Lock Spring.

See photos below.



Remove Gauge

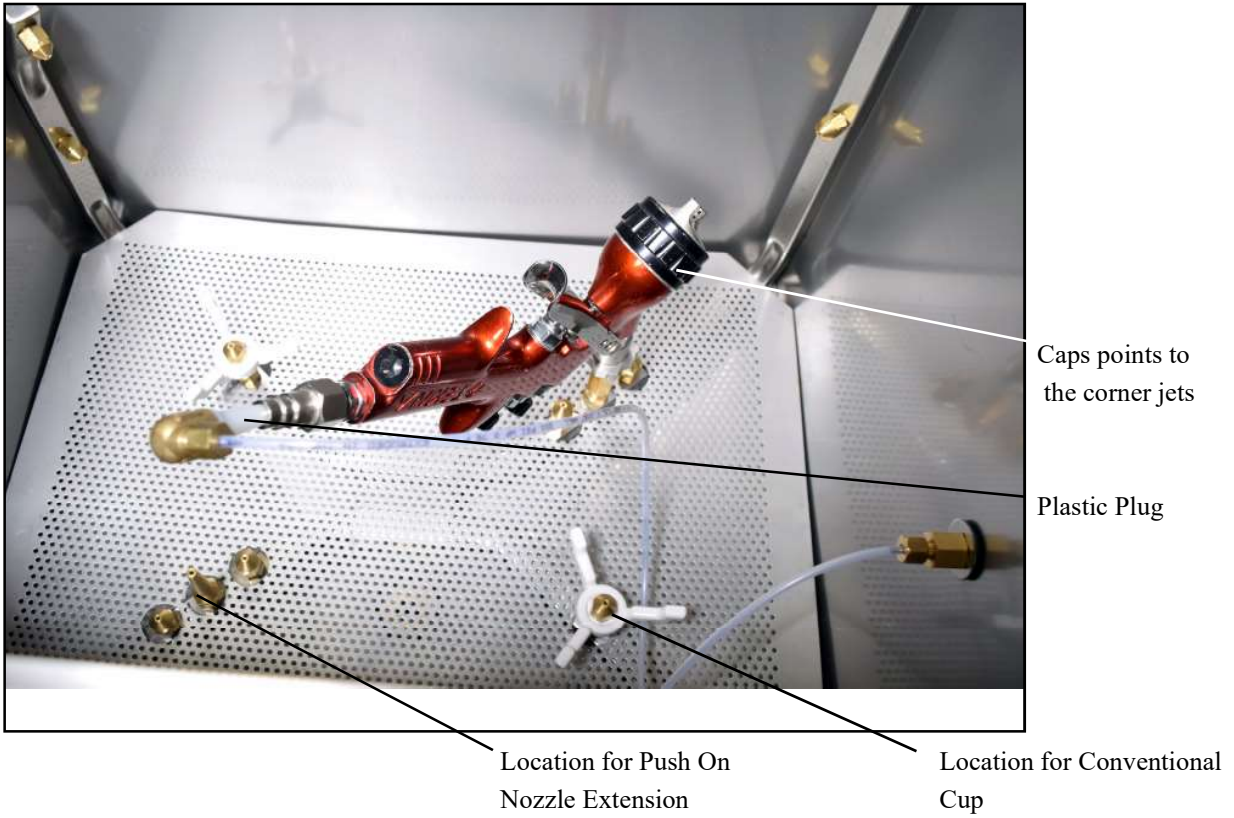


Loosen Cap



Trigger Lock Spring On Spray Gun

SPRAY GUN PLACED IN TANK

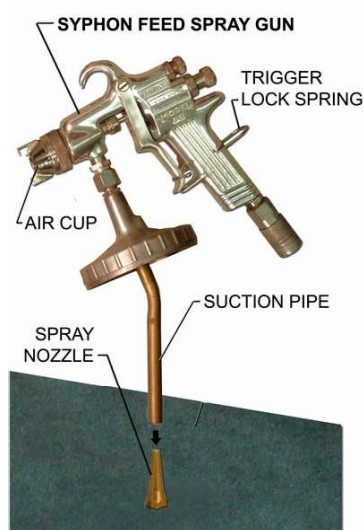
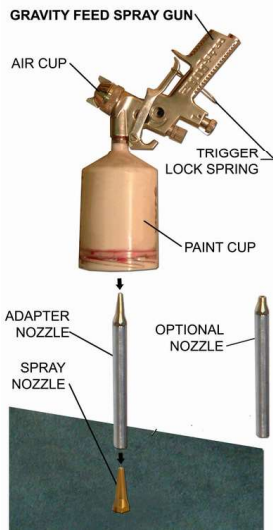
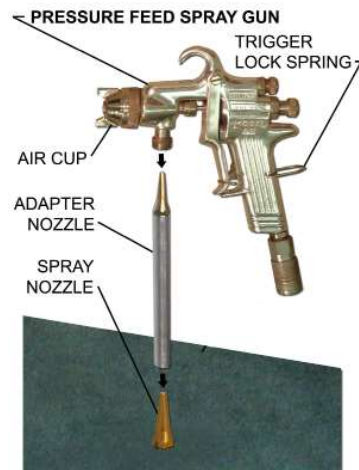
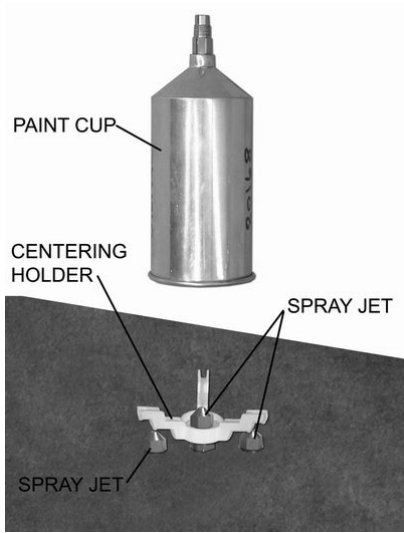


INSTALLING SPRAY GUNS IN TANK

- Place the spray gun on the nozzle with the cap facing the corner.



Nozzle Extension for disposable cups



Prevent Solvent From Entering the Air Passage of Spray Gun:

insert the plastic plug into the air fitting of the spray gun as in the photo below. Positive air will flow through the passage way to the cap during cleaning. If the air passage way has a male fitting attach the knurled female nut to prevent solvent from entering the air passage way. This fitting is located on the chain with the trigger clamp.



Plastic Plug inserted into the air passage way of the spray gun

- Close the lid of the spray tank and turn the "Auto Wash Timer" clockwise as in photo below to initiate cleaning. The wash cycle takes about 60 seconds.



REPLACING SOLVENT:

- Replace the solvent when the solvent has lost its cleaning effectiveness or after approximately 100 cleanings.
- Close the drain valve (horizontal position).
- Remove the pail of used solvent and install a pail of new solvent. Dispose of the used solvent in a manner compliant with the laws in the municipality. Return the suction hose and drain hose to the pail.



Drain Valve in Closed Position

MAINTENANCE:

- Clean the tank of the gun cleaner daily.

TROUBLE SHOOTING

PROBLEM	REASON	CORRECTIVE ACTION
WASH PUMP MAKES PUMPING SOUND BUT SOLVENT DOES NOT FLOW FROM THE JETS	Drain valve closed	Open drain valve (put in vertical position), if not already open
	Liquid level too low	Check wash liquid level. Add liquid if less than 1/2 full. Fill to 3 gal (11 L).
	Debris in pump or suction and output hose	Follow Procedure 1, "Blocked Fluid Passage in Diaphragm pump"
WASH PUMP MAKES HISSING SOUND AND SOLVENT DOES NOT FLOW	Water or contaminants are in air line of pump.	Follow Procedure 2. "Blocked Air Passage in Diaphragm Pump".
WASH PUMP DOES NOT STOP UNLESS TIMER IS TURNED BY HAND OR	Defective Timer	Replace Timer, PN 115-200K.
AIR IS SHUT OFF. WASH PUMP DOES NOT START.		
TIMER KNOB SPINS BACK WHEN TURNED	Defective Timer	Replace Timer. PN 115-200K.

Trouble shooting continued		
SYMPTOM	REASON	CORRECTIVE ACTION
INSIDE WALL OF TANK IS COATED WITH PAINT EVEN THOUGH OPERATOR MAINTAINS TANK	Liquid lacks cleaning strength	Replace solvent / water and AQUA-KLEEN in pail. Consider a solvent that is formulated for type of paint used and for use with automatic spray gun cleaning.
GUNS NOT CLEAN, PUMP WORKING, SOLVENT FLOW NORMAL	Trigger not locked in open position	Use Trigger Lock Spring PN 120-350
	Spray gun is not properly installed on to nozzle	Re-install with proper adapter
	Incompatible solvent	solvent formulated for type of paint
	Low pressure in air supply	of 85 PSI
	Plugged jets	through the jets. If not successful,
SOLVENT APPEARS RED or ORANGE	Water in solvent is corroding metal pail	Replace or recycle wash solvent
GUNS NOT CLEAN, WASH SOLVENT IS MILKY WHITE	Wash solvent is contaminated with water	Replace or recycle wash solvent
CLEAN RINSE DOES NOT WORK	Not enough liquid in clean rinse pail (right side)	Add liquid
	Rinse Pump is leaking from a crack caused by corrosion due to acidic or chlorine contaminated solvent	Replace rinse pump, PN URP-100SF
CLEAN RINSE IS DIRTY	Faulty Valve	Replace Combination Valve, PN UVB-400KIT

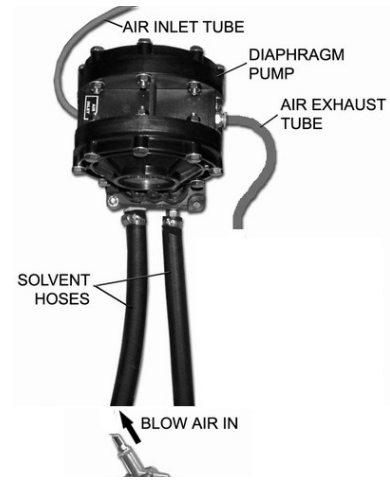
TROUBLESHOOTING PROCEDURES PROCEDURE 1

Blocked Fluid Passage In Diaphragm Pump

If the pump sounds like it is working but liquid does not flow, clear the fluid passage as follows:

- Remove suction tube from the pail and blow air at 85 PSI into the INLET Liquid Hose (see diagram). Step on foot pedal to activate pump. This procedure may have to be repeated several times. If this procedure does not help, blow some water into the suction hose using a spray gun, wait one minute and step on foot pedal to activate pump. This procedure may have to be repeated several times. If this procedure does not work, the pump must be replaced.

If you need to replace the pump call the Uni-ram Service Engineer. The warranty on the diaphragm pump is two years from date of purchase.



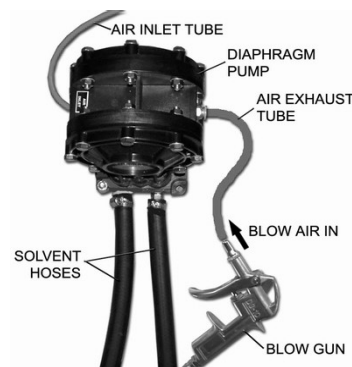
This procedure will also clear a blockage in the fluid line for the brush. Follow the same procedure to clear a blockage in the automatic nozzle except turn the timer instead of stepping on the foot pedal.

PROCEDURE 2

Blocked Air Passage In Diaphragm Pump

If there is a steady hissing sound and the pump is not cycling, the spool valve has stalled due to a blocked air passage. Follow the procedure below to clear the blockage.

- Connect a blow gun to an 85 PSI source. Locate the blue hose that extends from the air exhaust port of the diaphragm pump. Use a blow gun to blow air into the open end of this hose. Turn timer. If the procedure is successful, the pump will start working. The procedure may have to be repeated several times. If this procedure does not work, replace the pump.
- Cause:** Contaminants in the air supply (water, oil, solid particles etc)
- Preventative Action:** If necessary, install an Airline (Moisture) Filter.



PROCEDURE 3

Blocked Passage in Air Line

The components in the air line are the **diaphragm pump, air valve, foot pedal, 3-way ball valve and regulator. See the Flow Diagram and the section: Replacement Parts.**

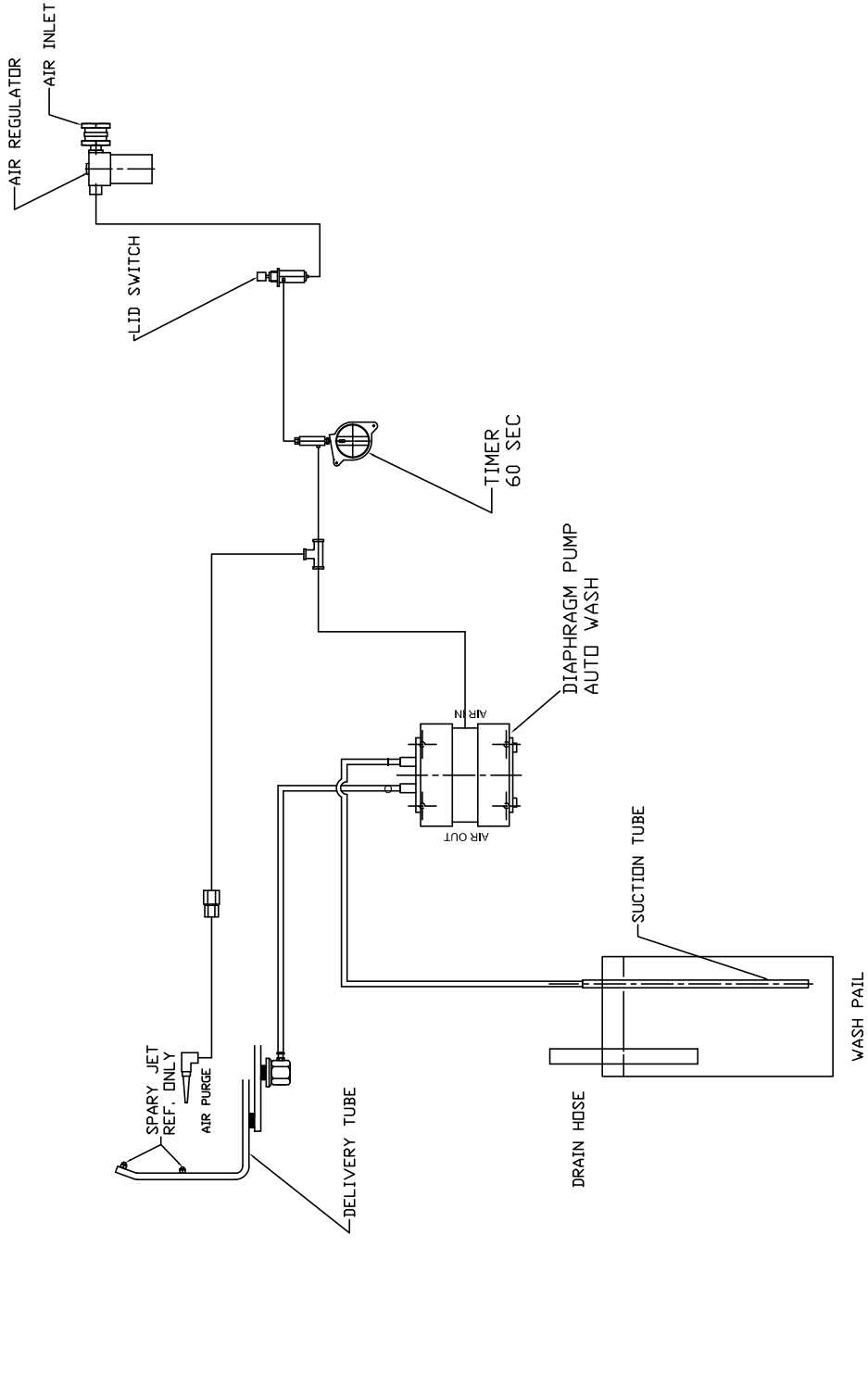
To troubleshoot a component:

- 1) Disconnect the air line to the component using the quick disconnect.
- 2) Step on foot pedal and check for presence of positive air pressure in the air line. If there is ample positive air pressure, replace the component.

If air pressure is absent, there is a faulty component upstream. Reconnect the air line and check the operation of the next component upstream by following steps 1 and 2 above.

UG4000E FLOW DIAGRAM

Use the diagram to trace the flow of compressed air and solvent.



FD-UG2000D-D
DATE:2019-02-20

REPLACEMENT PARTS

Part No.	Description
110-430	Nozzle Adapter, Push On, Conventional Systems Only
110-430PPS	Nozzle Adapter, Push On, Disposable and Conventional Systems
780-3530	Nozzle Adapter, Disposable Cup Systems Only
100-413F	Paint Cap Holder
115-200/K	Mechanical Timer Assembly, 5 minutes
140-230	Air Passage Plug
140-2340	Trigger Clamp & Plug Kit
113-800	Lid Switch
100-8335	GROUND WIRE, 14G, GREEN, 36" L
100-835	GROUND WIRE, 18AWG, GREEN, 4 FT
UDP4TA	DUAL DIAPHRAGM PUMP, 4"



Full Product Warranty

These Uni-ram products have been engineered and manufactured to high performance standards. Each unit has been subjected to detailed factory testing before shipment.

This product comes with a one-year full warranty from the date of purchase. Uni-ram Corporation reserves the right to repair or replace the unit, free of charge, to the original purchaser if a part is found to be defective in material or workmanship as determined by factory service personnel. The items listed below under "Conditions of Warranty" as consumables are not covered.

Uni-ram reserves the right to direct the customer to ship the unit collect to the Uni-ram factory or to an approved Service Center for repair using the Uni-ram Return Goods Procedure or to repair the unit on-site. To prevent damage in transport, the purchaser must ship the unit in the original packaging or use alternate adequate packaging. All units must be **shipped clean and free of liquid**.

Diaphragm Pump:

We are pleased to advise that the warranty on the diaphragm pump, the heart of the spray gun cleaner, comes with a 2 year replacement warranty. If, in the unlikely event your diaphragm pump fails during the first two years of service, call Uni-ram Service at 1-800-417-9133. We will send you a new pump free of charge and arrange for the return of your original pump.

Conditions of Warranty:

As Uni-ram Corporation has no control over the working conditions or circumstances under which the purchaser stores, handles or uses the product, Uni-ram makes no warranty or claim, either expressed or implied with respect to this product's fitness for any purpose or the result to be obtained from its use. This condition applies to the sale of all products and no representative or distributor of Uni-ram Corporation has the authority to waive or change these conditions.

This warranty applies only to the original purchaser and does not apply if the unit has been misused, overloaded, neglected, altered or used for any purpose other than those specified in the operating and installation instructions. Deterioration due to normal wear is not covered by this warranty. Damage due to accident, transportation, fire, floods or acts of God is also not covered. Units whose serial numbers have been altered or removed are not covered. The warranty is invalid if unauthorized chemicals as noted in the manual or liquids with acid content are used in this unit. Unauthorized attempts at self-repair or alterations by the owner also invalidate this warranty. Interior or exterior finishes are not covered by this warranty.

Consumable Items are not covered by this warranty (eg: gaskets, screens, bags, filters, nozzles and air jets).

This warranty replaces all other warranties expressed or implied by statute or otherwise.

To make a claim, call Uni-ram Service at 1-800-417-9133 and quote the serial number of the unit.