



USER MANUAL

PAIL CRUSER

UCC840C SERIES



UCC840C

UNI-RAM CORPORATION • ONTARIO • CANADA

CONTENTS

INTRODUCTION 3

CAUTIONS AND WARNINGS 3

SPECIFICATIONS 3

PREPARATION AND SETUP 4

INSTALLATION / MOUNTING TO FLOOR..... 4

OPERATION..... 4

MAINTENANCE 5

TROUBLESHOOTING DOOR SAFETY SWITCH 5

FLOW DIAGRAM 7

REPLACEMENT PARTS LIST 8

WARRANTY 9

INTRODUCTION

Uni-ram holds many patents on designs used in its innovative products. Every machine is tested for compliance with Quality Assurance standards. Follow the instructions on preparation, use and operation to operate this machine safely and effectively. Ensure that this manual is readily available to the operator at all times. If you have any questions about the operation of this machine, contact:

North America:
Uni-ram Technical Service
1-800-417- 9133
Other Continents:
Contact Your Supplier

CAUTIONS AND WARNINGS

- This is a very heavy piece of equipment and must be handled with care to avoid accident or injury. All possible precautions must be exercised so that the unit does not fall, tip or adversely move to ensure maximum safety during transportation, unpacking, installation, operation and service. Bolt unit to the floor.
- Maximum input air pressure is 120 PSI (8.5 kg/cm²).
- Remove the lid of the can before crushing. Do not move the control lever, when the door is open.
- This equipment is intended for use on empty pails. To prevent damage to the air valve and the air cylinder, never crush pails containing paint, solvent, glue, powder, etc.
- During operation the Control Lever is set to the “CRUSH” position. When the unit is not in use, keep the control lever at the “OPEN” position. This will prevent unintended movement of the Crushing Plate. **DO NOT LEAVE THE CONTROL LEVER PART WAY BETWEEN THE TWO POSITIONS.**
- Crush metal pails only. Plastic pails are not suitable for crushing.
- Disconnect the air supply before performing any repairs or servicing the unit.

SPECIFICATIONS

MODEL	UCC840C
ITEMS CRUSHED	PAILS ONLY
MAX SIZE OF ITEM (DIA X HEIGHT)	12.6 X 8.5”
AIR CYLINDER SIZE	6.3”
PISTON STROKE	19.7”
CRUSHING FORCE (TONS AT 120 PSI)	2
SHIPPING DIMENSIONS (WDH)	39 X 23 X 69”
WEIGHT (LB / KG)	450 / 204

PREPARATION AND SETUP:**UNPACKING**

- Carefully inspect the shipping carton for any sign of transport damage. Damage to the carton often indicates transport damage to the equipment inside.
- Carefully remove the shipping carton, the pallet, and other packaging material from the equipment.
- Check the equipment. Report any transport damage to the carrier without delay to initiate claim procedures. Uni-Ram Corporation is not responsible for damage to equipment after it leaves our warehouse.
- This manual is a very important document. Carefully read this manual before operating this equipment. Keep this manual close at hand so that it is readily available as required.
- A label complying with all applicable standards is permanently fixed to the back of this equipment. Vital information such as the serial number, & model number, are clearly marked on the label and will be needed in the event of a service call.
- Make sure that all markings and labels are clearly legible.

CAUTION: *This is a very heavy piece of equipment and must be handled with care to avoid accident or injury. All possible precautions must be exercised so that the unit does not fall, tip or adversely move to ensure maximum safety during transportation, unpacking, installation, operation and services. **Bolt unit to the floor.***

INSTALLATION / MOUNTING TO FLOOR

- Place the unit in a suitable location, making sure that there is enough space for a pail to receive the crushed pails.
- Bolt the unit to a solid floor made of cement, cement block or solid masonry
- Use 4 holes 5/8" diameter by 2" deep. Use anchors, bolts and washers (not supplied).
- Connect the air supply to the Air Inlet Fitting (1/4" Female NPT threads).

CAUTION: *Maximum input air pressure is 120 PSI (8.5 kg/cm²).*

OPERATION

Wear protective clothing in accordance with local safety and environmental regulations. Use face goggles and gloves as a minimum.

CAUTION: Remove the lid from the empty pail before crushing.

- Make sure the control lever of the valve is in "OPEN" position
- Lift the safety door upward while pulling out and holding the door catch rod. Release the catch so that the door is held in place by the ledge at the top of the crushing chamber.
- Place one pail to be crushed in the center of the crushing chamber.

Note: Make sure the pail sits evenly on the crusher plate.

- Close the safety door and rotate the control lever to the “CRUSH” position. The door will be locked and the crushing plate will start to move up. Crushing will be complete after 5-20 seconds depending on the size, construction and strength of the pail.
- Rotate the control lever to the “OPEN” position. The crushing plate will start to move down. As soon as the crushing plate reaches the bottom position, the door will be unlocked.
- Lift the door up and lock it in place, as described earlier, then remove the crushed pail. The machine is ready for the next cycle.

CAUTION: *This equipment is intended for empty pails. To prevent damage to the air valve and the air cylinder, never crush pails containing paint, solvent, glue, powder, etc. When the unit is not in use, keep the control lever at the “OPEN” position. This will prevent unintended movement of the Crushing Plate. DO NOT LEAVE THE CONTROL LEVER PART WAY BETWEEN THE TWO POSITIONS.*

MAINTENANCE

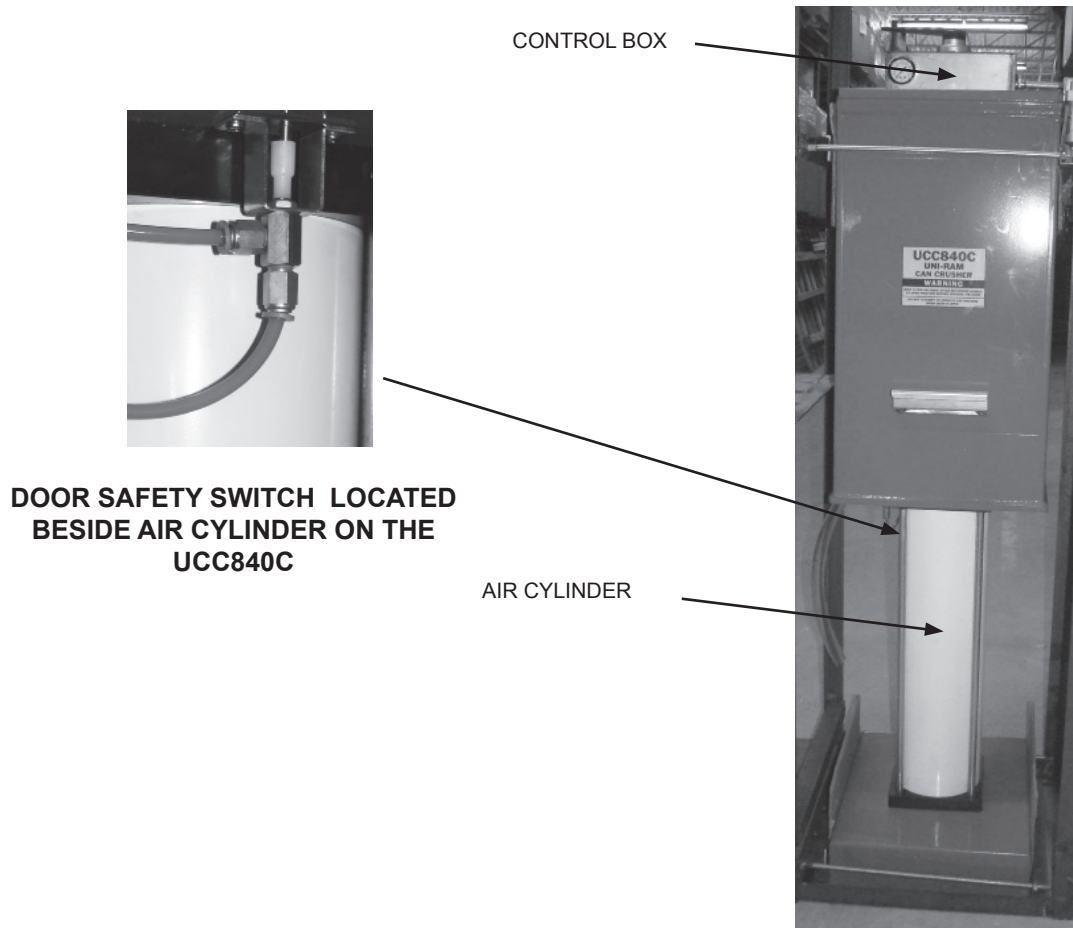
- The mounting bolts should be checked periodically for tightness to ensure that the unit is secure.

CAUTION: *Disconnect the air supply before performing any repairs or servicing the unit.*

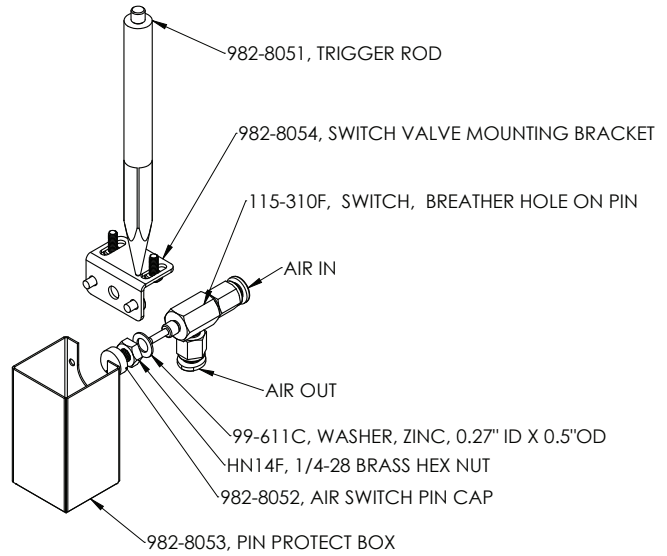
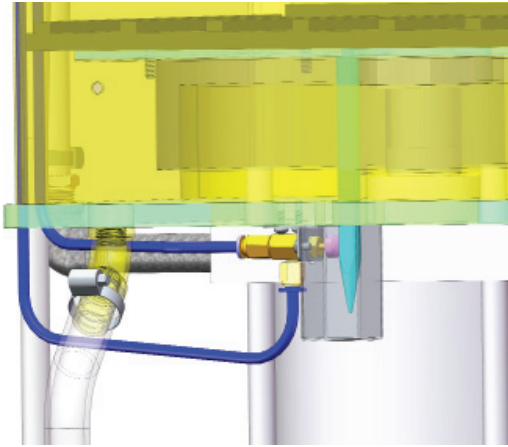
TROUBLESHOOTING DOOR SAFETY SWITCH

A Door Safety Switch prevents the door of the Crushing Chamber from being opened until the Crushing Plate is all the way down. If the door does not open when the Crushing Plate is in the bottom (starting) position the switch is defective and must be replaced.

DOOR SAFETY SWITCH



DOOR SAFETY SWITCH

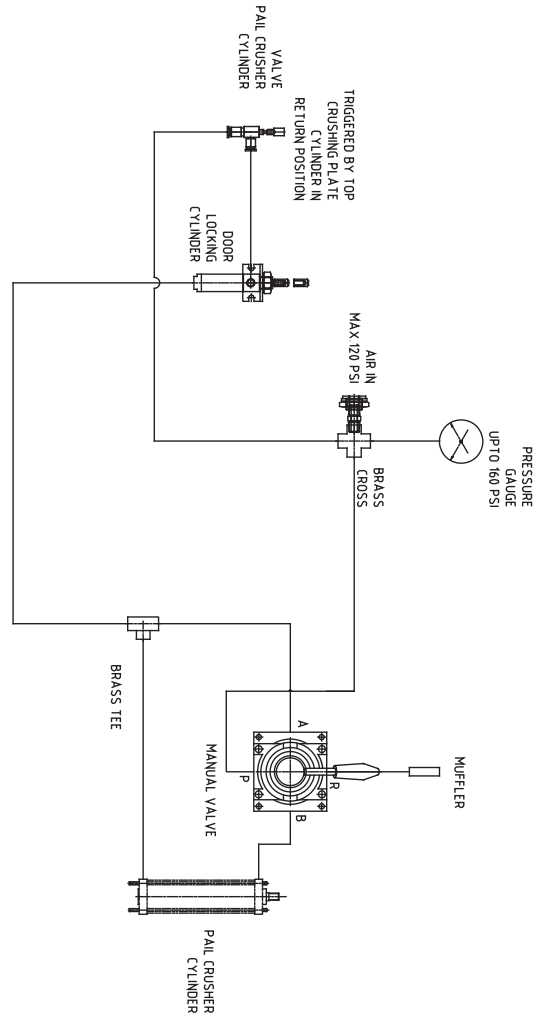


UCC840C
TRIGGER ROD AND AIR SWITCH

REPLACEMENT PARTS

DESCRIPTION	PART NO.
CONTROL BOX	982-1160A
MOISTURE FILTER FOR AIRLINE	975-7220F
DOOR SAFETY SWITCH	115-310F

FLOW DIAGRAM



NO	REVISIONS	DATE	NAME

1ST ANGLE PROJECTION	
----------------------	--

TOLERANCES(INCH)	
BENDING, CUTTING: FRACTION ± 1/32	PUNCHING, MACHINING: FRACTION ± 1/64
2 PLACE DEC. ± .030	2 PLACE DEC. ± .015
3 PLACE DEC. ± .015	3 PLACE DEC. ± .005
ANGLES ± 1/2°	ANGLES ± 0.1°

TITLE	
FLOW DIAGRAM	
UFC850	

SHEET 1 OF 1	SCALE:	NTS
DW/N	DATE	NAME
CHKD	MAY 1, 2008	RAVI
APPD		

MAT'L:	
QTY: 1	PATH: P:\DRAWING\SI
UNIRAM CORP 905-477-5911	
DWG NO. FD-UFC850C	REV A

Full Product Warranty

These Uni-ram products have been engineered and manufactured to high performance standards. Each unit has been subjected to detailed factory testing before shipment.

This product comes with a one-year full warranty from the date of purchase. Uni-ram Corporation reserves the right to repair or replace the unit, free of charge, to the original purchaser if a part is found to be defective in material or workmanship as determined by factory service personnel. The items listed below under "Conditions of Warranty" as consumables are not covered.

Uni-ram reserves the right to direct the customer to ship the unit collect to the Uni-ram factory or to an approved Service Center for repair using the Uni-ram Return Goods Procedure or to repair the unit on-site. To prevent damage in transport, the purchaser must ship the unit in the original packaging or use alternate adequate packaging. All units must be shipped clean and free of liquids.

Conditions of Warranty:

As Uni-ram Corporation has no control over the working conditions or circumstances under which the purchaser stores, handles or uses the product, Uni-ram makes no warranty or claim, either expressed or implied with respect to this product's fitness for any purpose or the result to be obtained from its use. This condition applies to the sale of all products and no representative or distributor of Uni-ram Corporation has the authority to waive or change these conditions.

This warranty applies only to the original purchaser and does not apply if the unit has been misused, overloaded, neglected, altered or used for any purpose other than those specified in the operating and installation instructions. Deterioration due to normal wear is not covered by this warranty. Damage due to accident, transportation, fire, floods or acts of God is also not covered. Units whose serial numbers have been altered or removed are not covered. The warranty is invalid if unauthorized abrasives are used in this unit. Unauthorized attempts at self-repair or alterations by the owner also invalidate this warranty. Interior or exterior finishes are not covered by this warranty.

Consumable Items are not covered by this warranty.

This warranty replaces all other warranties expressed or implied by statute or otherwise.

To make a claim, call Uni-ram Service at 1-800-417-9133 and quote the serial number of the unit.